

# BRASS WAVEGUIDES 7855

Brass tubes designed to block electromagnetic waves for non metallic materials

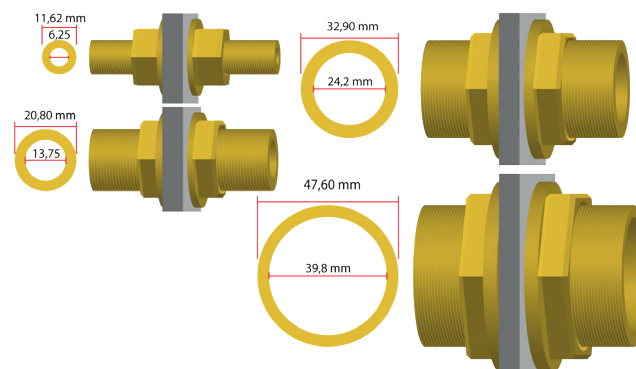


Waveguides are specially designed metal tubes in order to block electromagnetic waves. They are available in almost any size depending on frequency. Attenuation curve is in relationship with diameter. Any non metallic material can be fed through the waveguide such as optical fiber, water, gas or air.

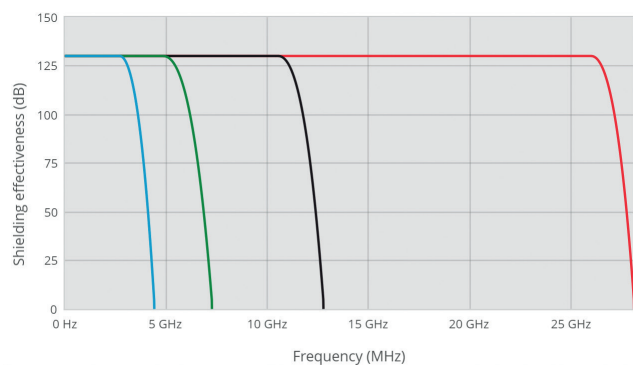
There are two versions available of the waveguide. A brass version with thread and a mu-copper version (7850).

The brass version (7855) with thread is available in 11.6 mm, 20.80 mm, 32.90 mm and 47.60 mm.

## WAVEGUIDE BRASS WITH THREAD VERSION 7855



## ATTENUATION WAVEGUIDE



- Waveguide 11.62 mm diameter and 300 mm length
- Waveguide 20.80 mm diameter and 300 mm length
- Waveguide 32.90 mm diameter and 300 mm length
- Waveguide 47.60 mm diameter and 300 mm length

## ORDER EXAMPLE

Part number	Outer diameter (mm)
<b>7855</b> : Messing waveguides with thread	<b>11.6</b> : 11.6 mm (300 mm length)
	<b>20.80</b> : 20.80 mm (300 mm length)
	<b>32.90</b> : 32.90 mm (300 mm length)
	<b>47.60</b> : 47.60 mm (300 mm length)