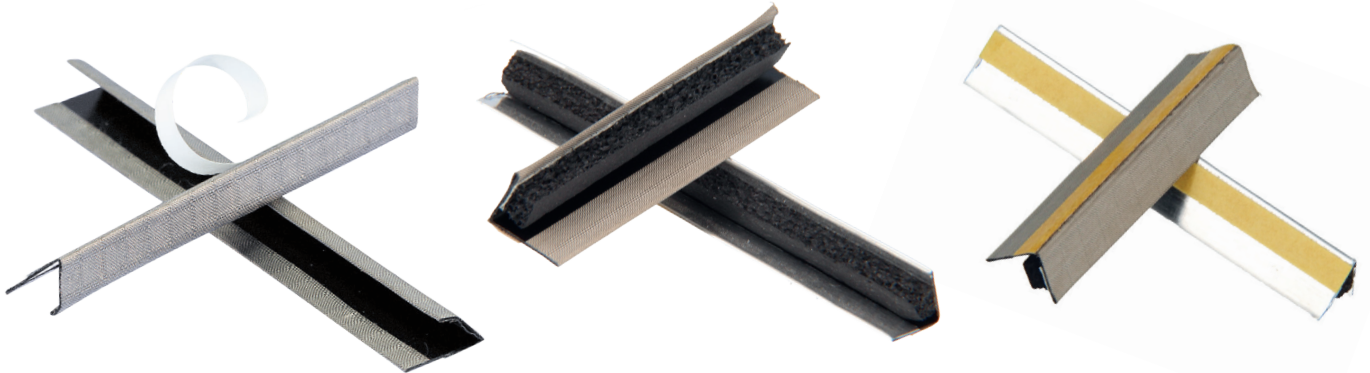


V-SHAPE GASKET 8700

V-shape EMI/RFI shielding gaskets for applications between lids, hinges and locks, and between door and door frame



V-shape EMI/RFI shielding gaskets for applications between lids, hinges and locks, and between door and door frame.

The V-shape gaskets 8700 series are characterized by a very large compression range and low closure force. They come with a self-adhesive strip for easy mounting. The most common version is with conductive nickel over copper textile (**Material code T**).

The version with highly conductive Amucor foil (**Material code A**) is designed especially to be combined with aluminum and zinc-plated steel. To prevent loss of material and for easy shipping we cut the material to exact lengths. The longest length available is 2.5 meters.

V-shape gaskets are also available with a resilient foam rubber insert for more compression just at the moment of closing.

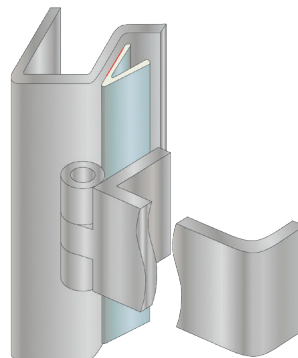
The V-shape gasket 8700 series is flame retardant and can be supplied in a UL94V-0 compliant version. Excellent shielding can be achieved without any permanent closure force. This construction prevents bending of doors, so the enclosure can be less rigid. It is also suitable for hinges and locks.

BENEFITS

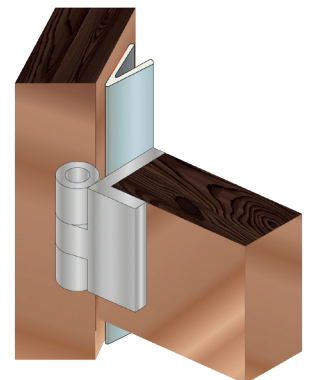
- Easy to fit with self-adhesive
- Allows for large tolerances
- High EMI/RFI shielding performance
- Very high deflection
- Very low closure force
- Lengths of 5mm up to 2500mm
- Only scissors required for installation

OPTIONS (ON REQUEST)

- Cut into accurate lengths
- Different conductive foils and fabrics



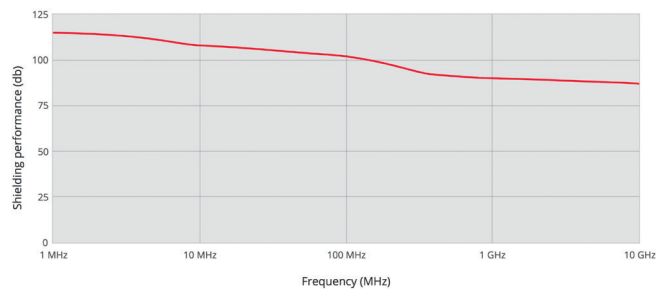
Metal door



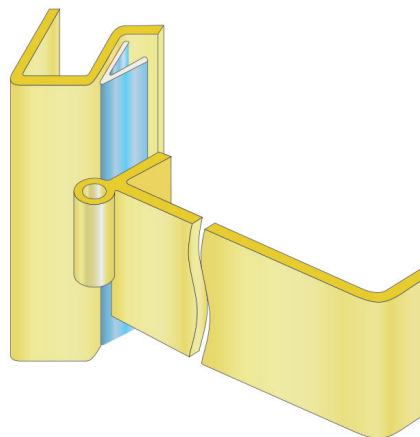
Wooden door

» V-SHAPE GASKET 8700

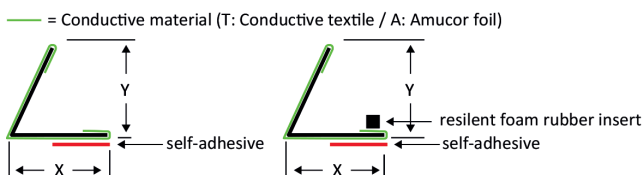
SHIELDING PERFORMANCE*



■ 8700 - V-shape gasket



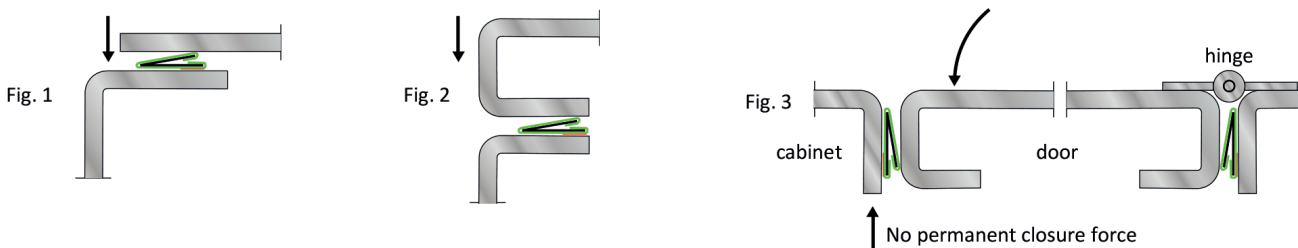
STANDARD DIMENSIONS



To place the v-shape in a curve, we recommend that the surface is clean, smooth and dust free.

EXAMPLES OF APPLICATIONS

The V-shape gasket is intended for applications between lids, hinges and locks as well as between a door and the door frame. Of course many other applications can be imagined.



| Part number | 8700-3 | 8700-4 | 8700-5 | 8700-6 | 8700-7 | 8700-8 | 8700-10 | 8700-12 | 8700-18 | 8700-20 |
|--------------|---------|---------|---------|---------|---------|---------|---------|---------|---------|----------|
| Width X (mm) | 3 | 4 | 5 | 6 | 7 | 8 | 10 | 12 | 18 | 20 |
| Range Y (mm) | 0.3-1.5 | 0.3-2.0 | 0.3-2.5 | 0.6-3.0 | 0.6-4.0 | 0.6-4.0 | 0.6-5.0 | 0.6-6.0 | 1.0-9.0 | 1.0-10.0 |

ORDER EXAMPLE

| Series | Width X (mm) | Material | Insert | Length (mm) |
|--------|---------------------------------------|--|---|---|
| 8700 | Specify the width of the gasket in mm | T : Conductive textile A : Amucor foil (standard) | I : With a resilient foam rubber N : No insert | Specify the length (mm) Max. length 2500 mm. Others on request. Keep small for economic transport |

*Notice

Information supplied in these data sheets is based on independent and laboratory tests which Holland Shielding Systems BV, hereafter referred to as HSS believes to be reliable. HSS has no control over the design of customer's product which incorporates products, therefore it is the responsibility of the user to determine the suitability for his particular application and we recommend that the user make his own test to determine suitability.

The product described in this data sheet shall be of standard quality, however the products are sold without warranty of fitness for a particular purpose, either expressed or implied, except to the extent expressly stated on HSS invoice, quotation or order acknowledgment. HSS does not warrant that products described in this data sheet will be free of conflict with existing or future patents of third parties. All risks of lack of fitness, patent infringement and the like are assumed by the user.