

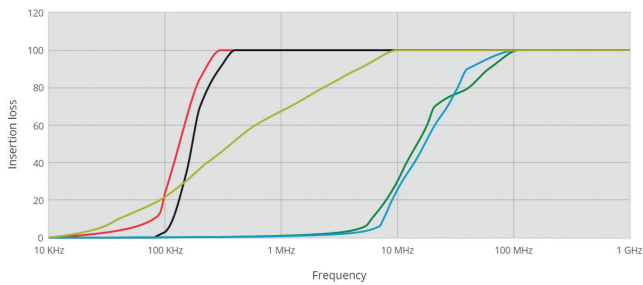
SIGNAL LINE FILTERS 8090

This series of signal filters are used for telephone, data communication, control, and fire alarm



These signal line filters are specially designed to use for telephone, fax, fire detection, video signal, and AC/DC switch signal with a rated current between 0.3 A and 1 A. The filter complies with standards specified by national military class C and D shielded room and anechoic chamber.

SHIELDING PERFORMANCE

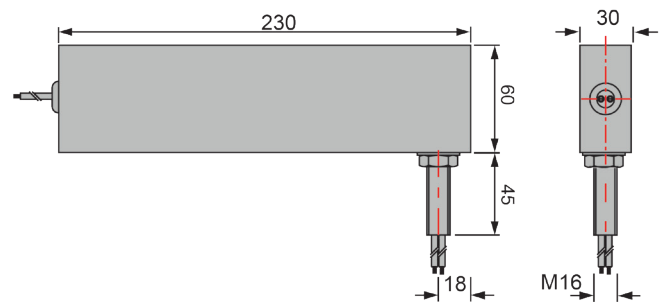


8090-2-0.3-20kHz
8090-2-1-100kHz
8090-2-1-6MHz
8090-2-1-6MHz
8090-2-16-100kHz

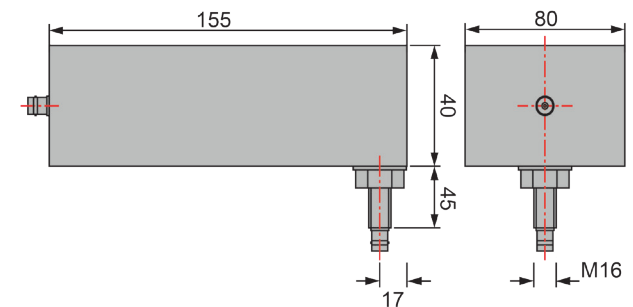
APPLICATIONS

- Telephone
- Fax
- AC/DC
- Switch signal
- Fire detection
- Door opening buttons
- All other application using the band pass specified in the

DIMENSIONAL DIAGRAMS

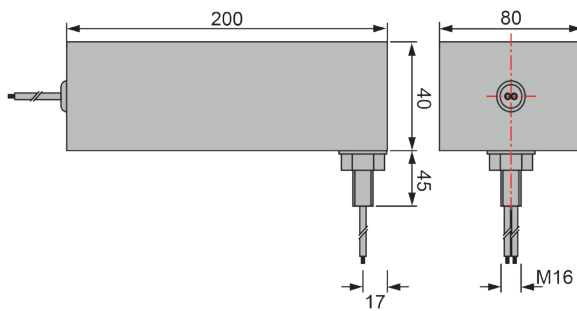


Outline drawing 1

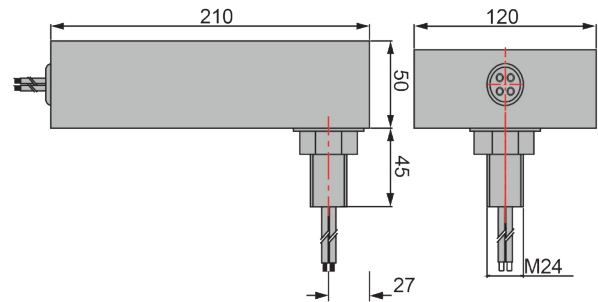


Outline drawing 2

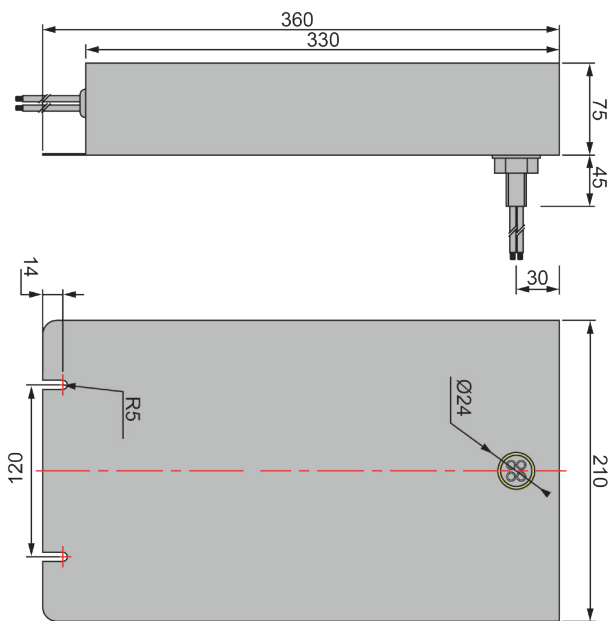
» SIGNAL LINE FILTERS 8090



Outline drawing 3



Outline drawing 4



Outline drawing 6

PRODUCT RANGE

Type	Rated voltage	Rated current	Outline drawing	Conduit size	Band pass	Typical applications
8090-2X0.3X20	250 VDC	2 x 0.3 A	1	M16	0-20 kHz	Telephone, fax
8090-2X1X100	250 VAC	2 x 1 A	1	M16	0-100 kHz	Control, voice
8090-2X1X6	100 VDC	2 x 1 A	1	M16	0-6 MHz	Special fire alarm
8090-1X1X6	100 VDC	1 x 1 A	2	M16	0-6 MHz	Video signal
8090-2X16X100	250 VAC	2 x 16 A	3	M16	0-100 kHz	Air conditioning unit
8090-10X1X6	250VDC	10 x 1 A	4	M24	0-6 MHz	Special fire alarm
8090-10X1X20	250 VAC/250VDC	10 x 1 A	6	M24	0-20 kHz	Telephone, fax
8090-10X1X100	250 VAC	10 x 1 A	6	M24	0-100 kHz	Control, voice

Note: Specify number of control line and current volume if control lines are more than 2 or current is bigger than 1A.

ORDER EXAMPLE

Type

8090-2X0.3X20

- 8090-2X0.3X20
- 8090-2X1X100
- 8090-2X1X6
- 8090-1X1X6
- 8090-2X16X100
- 8090-10X1X6
- 8090-10X1X20
- 8090-10X1X100