

POWER LINE FILTERS FOR GROUND WIRE 8040

If you are concerned about noise in your environment, ground filter is a good way to mitigate the problem. Shielding performance: 100dB @ 14 kHz - 40 GHz (MIL-STD-285)



Just like power lines, ground wires connect the entire facility together. All human-reachable surfaces of electrical equipment must be at ground potential for safety reason. While safety practices are always a good idea, a side effect of such connection is that if one piece of equipment injects noise into ground for whatever reason (mis-wiring, improper design, poor maintenance, etc.). This noise propagates throughout the facility and enters other equipment. Ground filters are capable of reducing this noise while maintaining all safety practices.

If you are concerned about noise in your environment, ground filter is a good way to mitigate the problem.

DIMENSIONAL DIAGRAMS

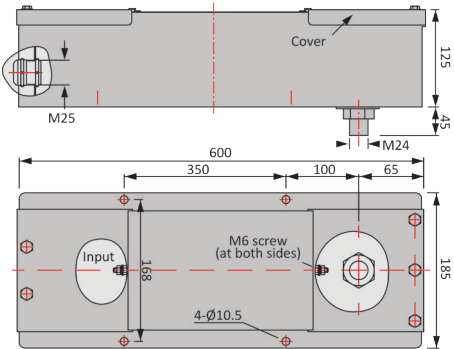


Diagram 1

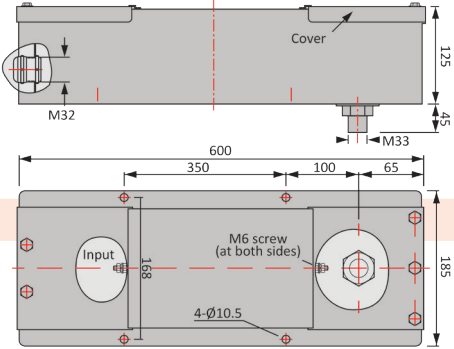


Diagram 2

ADVANTAGES

- Suitable for use under extreme conditions (military applications)
- Wear resistant
- Insensitive for corrosion

APPLICATIONS

- S3 rooms
- Shielded room
- Shielded cabinet
- Anechoic chamber

FEATURES

- Rated Voltage: 250VAC, 500VDC
- Operating Frequency: 0-60Hz
- Voltage drop: Less than 1V @ unity power factor

PRODUCT RANGE

Type	IR (A)	Outline drawing	Shielding Effectiveness (dB)
8040-16	16	1	100dB, 14K-40GHz
8040-32	32		
8040-63	63		
8040-100	100	2	
8040-150	150		
8040-200	200		
8040-250	250		

ORDER EXAMPLE

Series	Rated current (A)
8040	16 : 16 ampere 32 : 32 ampere 63 : 63 ampere 100 : 100 ampere 150 : 150 ampere 200 : 200 ampere 250 : 250 ampere