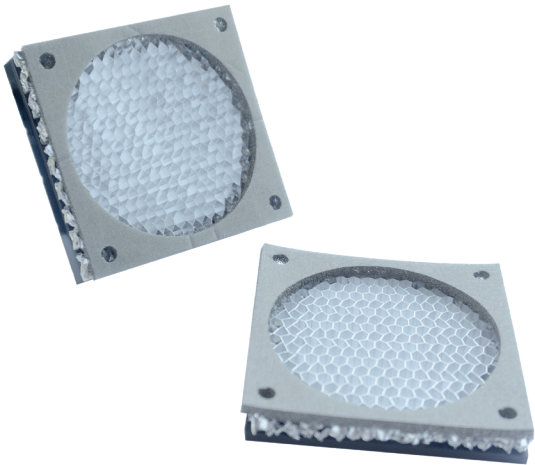




Honeycomb fan shield 9530



A range of low-cost EMC vents for use with standard fan size fans. The Honeycomb fan shield 9530 series are designed to provide EMI shielding and maximum airflow without degrading the fan output.

These vents provide a low-cost option to perforated metal when airflow rates are critical. A high-gloss acrylic frame is fitted with one layer of 6.35 or 12.7 thick honeycomb material and an optional conductive foam gasket (5770-3-02-S) to connect the honeycomb to the metalwork.

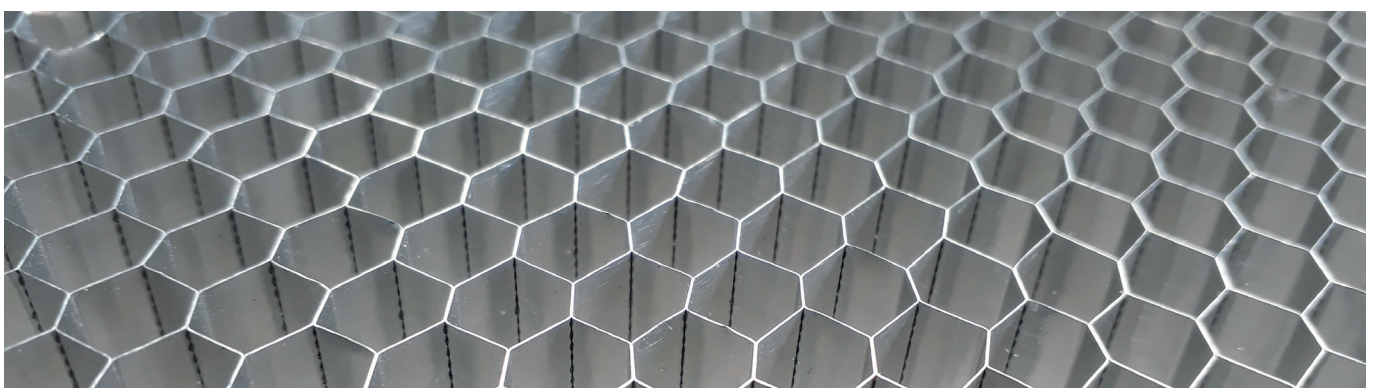
When mounting the conductive foam gasket, the foam side must be against the honeycomb and the mesh against the metalwork side. Honeycomb Fan Shield in almost all sizes corresponding to industry-standard fans with standard 4-hole mounting.

Shielding performance*

Shielding performance is achieved from 1/8 cell aluminium honeycomb panels with compressed mounted in a square shaped flat acrylic plate with a circular cut-out on the inside. The contact with the housing is made with an amucor shielding gasket cut into the correct shape of the Honey-comb fan shield.

Performance below have been measured with honeycomb specifications 1/8 Cell size, 1/4 Thick.

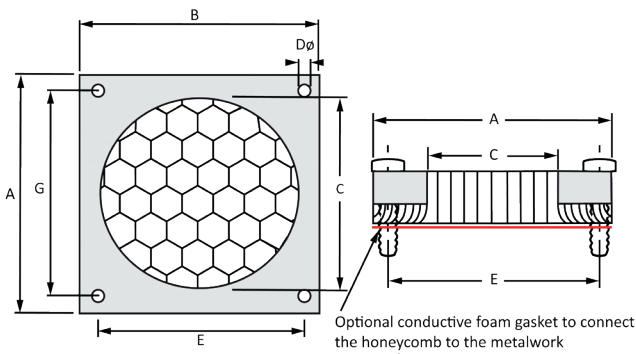
Frequency	Field	Typical (db)
200 kHz	H	53
100 MHz	E	102
500 MHz	P	85
2 GHz	P	74
10 GHz	P	58



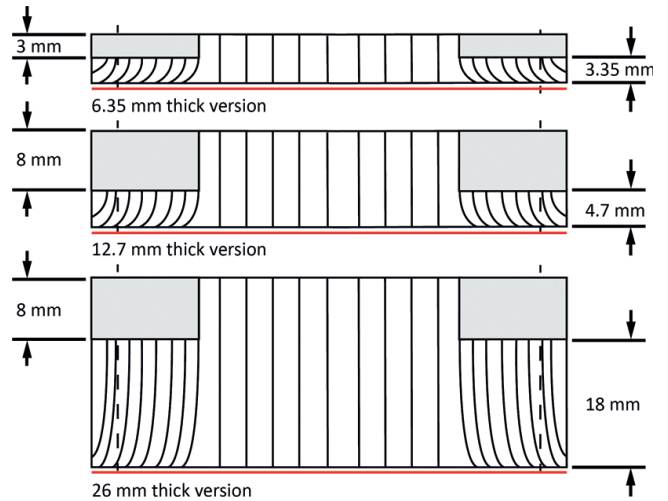
» Honeycomb fan shield 9530

Standard dimensions

In the table below some common types are specified to illustrate the required information. The hole diameter is standard 3.5mm but it can also be delivered in any other size.



Honeycomb fan shield available thicknesses



Part number	Outer dimension				Mounting holes horizontal		Mounting holes vertical	
	A	B	C	D	No	E	No	G
9530-40-40	40	40	31.5	3.5 mm	2	32	2	32
9530-50-40	50	50	41.2	3.5 mm	2	40	2	40
9530-60-60	60	60	53	3.5 mm	2	50	2	50
9530-70-70	70	70	60	3.5 mm	2	60	2	60
9530-80-80	80	80	70	3.5 mm	2	71.5	2	71.5
9530-90-90	90	90	80	3.5 mm	2	82.5	2	82.5
9530-120-120	120	120	105	3.5 mm	2	105	2	105
9530-140-140	140	140	125	3.5 mm	2	124.5	2	124.5
9530-200-200	200	200	185	3.5 mm	2	154	2	154
9530-220-220	220	220	205	3.5 mm	2	170	2	170

(Optional) other sizes on request

Order example

Series	Width (mm)	Length (mm)	Thickness (mm)	EMC gasket
9530	Specify the outer dimension in mm	Specify the outer dimension in mm	6.35 : 6.35mm thick honeycomb material 12.7 : 12.7mm thick honeycomb material 26 : 26 mm thick honeycomb material	N : No gasket F : Conductive foam gasket