

EMC/EMI GASKETS 8800

Standard-shaped EMC/EMI gaskets manufactured to application-specific geometries.



A CNC extrusion system has been developed to manufacture EMI shielding gaskets in a wide range of shapes and dimensions. Thanks to this system there are no additional tooling costs, which makes it interesting for smaller quantities or special constructions. The metal-cladded, flame-retardant gasket can be manufactured in several rigidities and is very compatible with aluminium, zinc-plated steel, AluZinc, stainless steel, copper, etc.

Enclosures can be constructed more cost-effective and compact due to the (electrically conductive) self-adhesive strips that eliminate the need for mounting equipment. The material is non-toxic and is an excellent replacement for the environmentally polluting beryllium gaskets.

Available in dimensions from 1.7- 30 mm with or without separate water seal. The gaskets can be supplied in various lengths, according to customer specifications.

Standard shapes are available for 19" racks, watertight enclosures and PCB shielding.

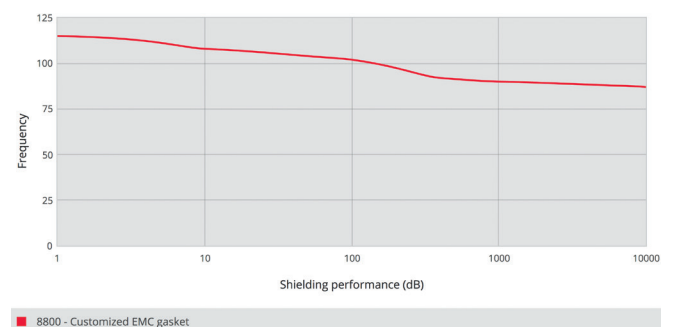
BENEFITS

- No tooling costs
- A wide range of shapes
- Self-adhesive gasket
- Easy to fit
- Small dimensions
- Very high deflection
- Low closure force

OPTIONS

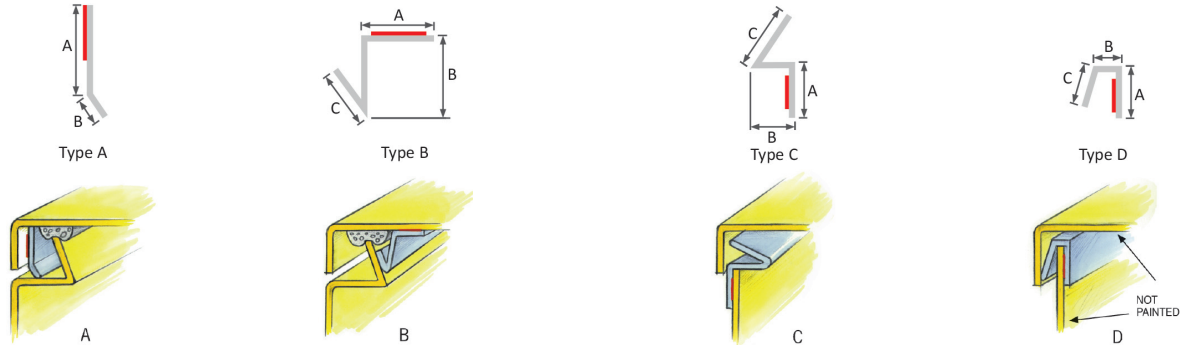
- Cut into accurate lengths
- Combination with water seal
- UL94V-0 compliant, flame retardant
- Chemical resistant versions
- Resistant to high temperatures
- Various conductive foils and fabrics

SHIELDING PERFORMANCE*



» EMC/EMI GASKETS 8800

STANDARD PART NUMBERS



Type A			Type B		
Part number	A	B	Part number	A	B C
8800-A-4-2	4	2	8800-B-4-4-2	4	4 2
8800-A-6-3	6	3	8800-B-6-6-3	6	6 3
8800-A-8-4	8	4	8800-B-8-8-5	8	8 5
8800-A-10-7	10	7	8800-B-10-10-7	10	10 7
8800-A-12-6	12	6	8800-B-12-12-9	12	12 9
8800-A-14-7	14	7	8800-B-14-14-11	14	14 11
8800-A-16-8	16	8	8800-B-16-16-13	16	16 13
8800-A-18-9	18	9	8800-B-18-18-15	18	18 15
8800-A-20-10	20	10	8800-B-20-20-17	20	20 17
8800-A-22-11	22	11	8800-B-22-22-19	22	22 19
8800-A-24-12	24	12	8800-B-24-24-21	24	24 21
8800-A-26-13	26	13	8800-B-26-26-23	26	26 23
8800-A-28-14	28	14	8800-B-28-28-25	28	28 25
8800-A-30-15	30	15	8800-B-30-30-27	30	30 27

Other dimensions on request

Type C			Type D		
Part number	A	B C	Part number	A	B C
8800-C-4-2-4	4	2 4	8800-D-4-2-2	4	2 2
8800-C-6-4-6	6	4 6	8800-D-6-3-4	6	3 4
8800-C-8-6-8	8	6 8	8800-D-8-4-6	8	4 6
8800-C-10-8-10	10	8 10	8800-D-10-5-8	10	5 8
8800-C-12-10-12	12	10 12	8800-D-12-6-10	12	6 10
8800-C-14-12-14	14	12 14	8800-D-14-7-12	14	7 12
8800-C-16-14-16	16	14 16	8800-D-16-8-14	16	8 14
8800-C-18-16-18	18	16 18	8800-D-18-9-16	18	9 16
8800-C-20-18-20	20	18 20	8800-D-20-10-18	20	10 18
8800-C-22-20-22	22	20 22	8800-D-22-11-20	22	11 20
8800-C-24-22-24	24	22 24	8800-D-24-12-22	24	12 22
8800-C-26-24-26	26	24 26	8800-D-26-13-24	26	13 24
8800-C-28-26-28	28	26 28	8800-D-28-14-26	28	14 26
8800-C-30-28-30	30	28 30	8800-D-30-15-28	30	15 28

Other dimensions on request

ORDER EXAMPLE

Series	Type	Dimension A (mm)	Dimension B (mm)	Dimension C (mm)	Material	Length (mm)
8800	<ul style="list-style-type: none"> A : Type A B : Type B C : Type C D : Type D 	See technical drawing above for more information	See technical drawing above for more information	See technical drawing above for more information	<ul style="list-style-type: none"> A : Amucor foil T : Conductive textile 	Specify the length (mm) Max. length 2500 mm. Others on request.