

# CUSTOMIZED EMC GASKET 8800

High deflection, low closure force gaskets without tooling costs. Any shape or size you want!



A CNC extrusion system has been developed to manufacture EMI shielding gaskets in a wide range of shapes and dimensions. Thanks to this system there are no additional tooling costs, which makes it interesting for smaller quantities or special constructions. The metal-clad, flame-retardant gasket can be manufactured in several rigidities and is very compatible with aluminum, zinc-plated steel, AluZinc, stainless steel, copper, etc.

Enclosures can be constructed more cost-effectively and compactly due to the (electrically conductive) self-adhesive strips that eliminate the need for mounting equipment. The material is non-toxic and is an excellent replacement for the environmentally polluting beryllium gaskets.

Available in dimensions from 1.7- 30mm, with or without separate water seal, the gaskets can be supplied in various lengths, according to customer specifications.

Standard shapes are available for 19" racks, watertight enclosures and PCB shielding.

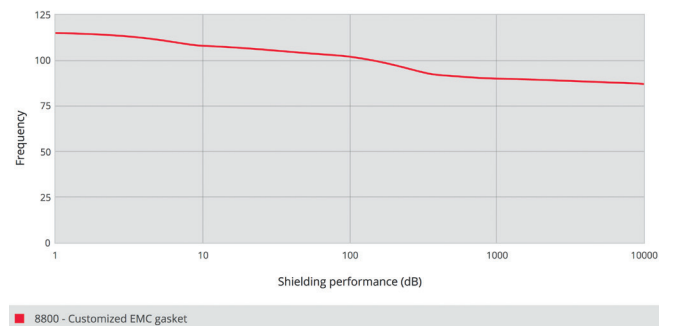
## BENEFITS

- No tooling costs
- A wide range of shapes
- Self-adhesive gasket
- Easy to fit
- Small dimensions
- Very high deflection
- Low closure force

## OPTIONS

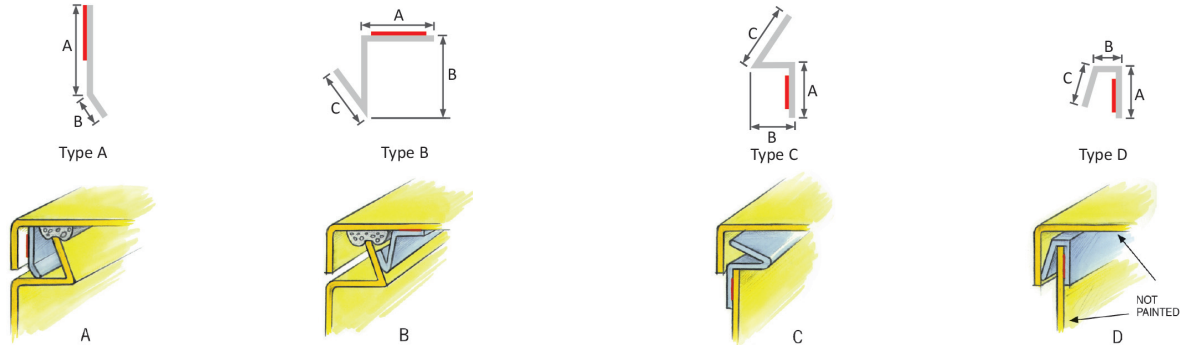
- Cut into accurate lengths
- Combination with water seal
- UL94V-0 compliant, flame retardant
- Chemical resistant versions
- Resistant to high temperatures
- Various conductive foils and fabrics

## SHIELDING PERFORMANCE\*



## » CUSTOMIZED EMC GASKET 8800

### STANDARD PART NUMBERS



Type A		Type B				
Part number	A	B	Part number	A	B	C
8800-A-4-2	4	2	8800-B-4-4-2	4	4	2
8800-A-6-3	6	3	8800-B-6-6-3	6	6	3
8800-A-8-4	8	4	8800-B-8-8-5	8	8	5
8800-A-10-7	10	7	8800-B-10-10-7	10	10	7
8800-A-12-6	12	6	8800-B-12-12-9	12	12	9
8800-A-14-7	14	7	8800-B-14-14-11	14	14	11
8800-A-16-8	16	8	8800-B-16-16-13	16	16	13
8800-A-18-9	18	9	8800-B-18-18-15	18	18	15
8800-A-20-10	20	10	8800-B-20-20-17	20	20	17
8800-A-22-11	22	11	8800-B-22-22-19	22	22	19
8800-A-24-12	24	12	8800-B-24-24-21	24	24	21
8800-A-26-13	26	13	8800-B-26-26-23	26	26	23
8800-A-28-14	28	14	8800-B-28-28-25	28	28	25
8800-A-30-15	30	15	8800-B-30-30-27	30	30	27

Other dimensions on request

Type C			Type D				
Part number	A	B	C	Part number	A	B	C
8800-C-4-2-4	4	2	4	8800-D-4-2-2	4	2	2
8800-C-6-4-6	6	4	6	8800-D-6-3-4	6	3	4
8800-C-8-6-8	8	6	8	8800-D-8-4-6	8	4	6
8800-C-10-8-10	10	8	10	8800-D-10-5-8	10	5	8
8800-C-12-10-12	12	10	12	8800-D-12-6-10	12	6	10
8800-C-14-12-14	14	12	14	8800-D-14-7-12	14	7	12
8800-C-16-14-16	16	14	16	8800-D-16-8-14	16	8	14
8800-C-18-16-18	18	16	18	8800-D-18-9-16	18	9	16
8800-C-20-18-20	20	18	20	8800-D-20-10-18	20	10	18
8800-C-22-20-22	22	20	22	8800-D-22-11-20	22	11	20
8800-C-24-22-24	24	22	24	8800-D-24-12-22	24	12	22
8800-C-26-24-26	26	24	26	8800-D-26-13-24	26	13	24
8800-C-28-26-28	28	26	28	8800-D-28-14-26	28	14	26
8800-C-30-28-30	30	28	30	8800-D-30-15-28	30	15	28

Other dimensions on request

### ORDER EXAMPLE

Series	Type	Dimension A (mm)	Dimension B (mm)	Dimension C (mm)	Material	Length (mm)
8800	A: Type A B: Type B C: Type C D: Type D	See technical drawing above for more information	See technical drawing above for more information	See technical drawing above for more information	A: Amucor foil T: Conductive textile	Specify the length (mm) Max. length 2400 mm. Others on request.

#### \*Notice

Information supplied in these data sheets is based on independent and laboratory tests which Holland Shielding Systems BV, hereafter referred to as HSS believes to be reliable. HSS has no control over the design of customer's product which incorporates products, therefore it is the responsibility of the user to determine the suitability for his particular application and we recommend that the user make his own test to determine suitability.

The product described in this data sheet shall be of standard quality, however the products are sold without warranty of fitness for a particular purpose, either expressed or implied, except to the extent expressly stated on HSS invoice, quotation or order acknowledgment. HSS does not warrant that products described in this data sheet will be free of conflict with existing or future patents of third parties. All risks of lack of fitness, patent infringement and the like are assumed by the user.