

COMPACT DESKTOP MEASUREMENT BOX

Compact size desktop type shielded box for testing



Compact desktop measurement box (350 x 400 x 300mm)

- Makes an ideal solutions for Bluetooth, WiFi, 3G/4G phones test
- High isolation
- Easy & Flexible operation

TECHNICAL SPECIFICATIONS

Shielding effect	More than 70dB
Interface type	See our filter modules
Numbers of filters	3 pcs
Working temperature (°C)	Operating at room temperature
Working dimensions (mm)	350(W)*400(D)*300(H)
Outer dimensions (mm)	430(W)*538(D)*366(H)
Weight (kg)	20 kg
Appearance of color	Beige

* Notice: dimensions are indicative

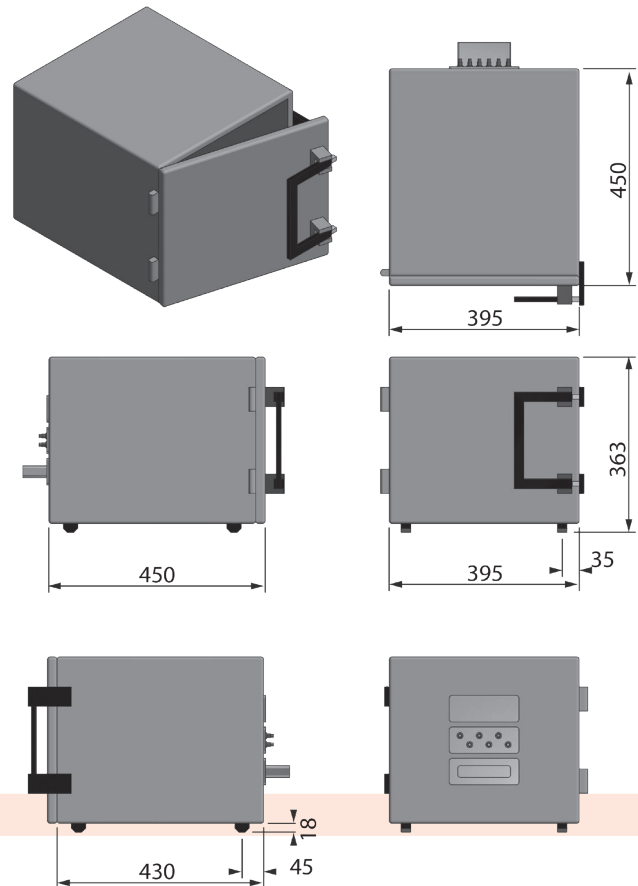
FEATURES

- High levels of shielding attenuation, greater than 75 dB
- Box can be equipped with shielded power filters for power connection in the box while still blocking all wireless signals.
- Easy & Flexible operation in Lab and production line
- R&D, custom design

ORDER EXAMPLE

Series

MPSB-35-40-30



*Notice

Information supplied in these data sheets is based on independent and laboratory tests which Holland Shielding Systems BV, hereafter referred to as HSS believes to be reliable, except to the extent expressly stated on HSS invoice, quotation or order acknowledgment. HSS does not warrant that products described in this data sheet will be free of conflict with existing or future patents of third parties. All risks of lack of fitness, patent infringement and the like are assumed by the user.

The product described in this data sheet shall be of standard quality, however the products are sold without warranty of fitness for a particular purpose, either expressed or implied, except to the extent expressly stated on HSS invoice, quotation or order acknowledgment. HSS does not warrant that products described in this data sheet will be free of conflict with existing or future patents of third parties. All risks of lack of fitness, patent infringement and the like are assumed by the user.