

BRASS WAVEGUIDES 7855

Brass tubes designed to block electromagnetic waves for non metallic materials



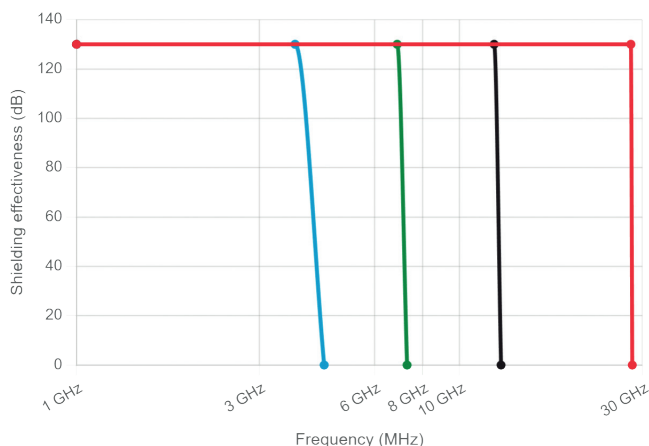
Brass waveguides are high-quality metal tubes designed to block electromagnetic waves while allowing the passage of non-metallic materials such as optical fiber, water, gas, or air.

Made from durable, corrosion-resistant brass, the 7855 version features a threaded design for easy installation and reliable shielding performance. Available in various diameters to suit different frequency ranges, brass waveguides deliver excellent durability, precision, and a professional finish — perfect for EMC chambers and shielded installations.

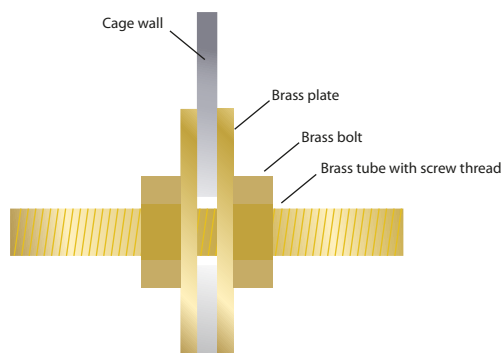
Also available are the copper waveguides type Waveguides

The brass version (7855) with thread is available in 11.6 mm, 20.80 mm, 32.90 mm and 47.60 mm. Other sizes on request

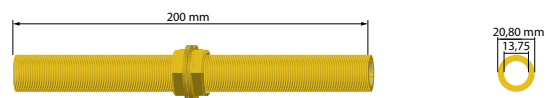
ATTENUATION WAVEGUIDE



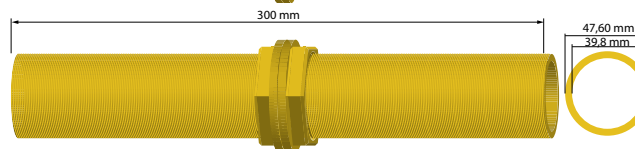
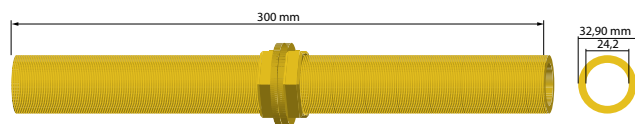
- Waveguide 11.62 mm diameter and 200 mm length
- Waveguide 32.90 mm diameter and 300 mm length
- Waveguide 20.80 mm diameter and 200 mm length
- Waveguide 47.60 mm diameter and 300 mm length



WAVEGUIDE BRASS 7855-11,62 & 7855-20,80



WAVEGUIDE BRASS 7855-32,90 & 7855-47,60



ORDER EXAMPLE

Part number	Outer diameter (mm)
7855 : Messing waveguides with thread	11,6 : 11,6 mm (200 mm) 20,80 : 20,80 mm (200 mm) 32,90 : 32,90 mm (300 mm) 47,60 : 47,60 mm (300 mm)