

AUTOMATIC TEST BOX

Test box with automatic open & closure system
working size 433(W)*440(D)*313(H)



Automatic test box (433 x 440 x 313mm)

- Make a ideal solutions for bluetooth, wifi, 3G, 4G testing
- High isolation
- Easy & Flexible operation

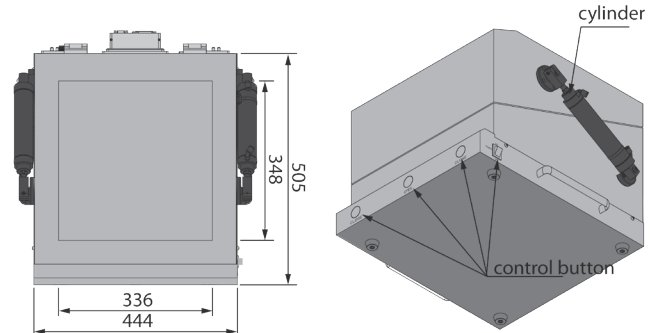
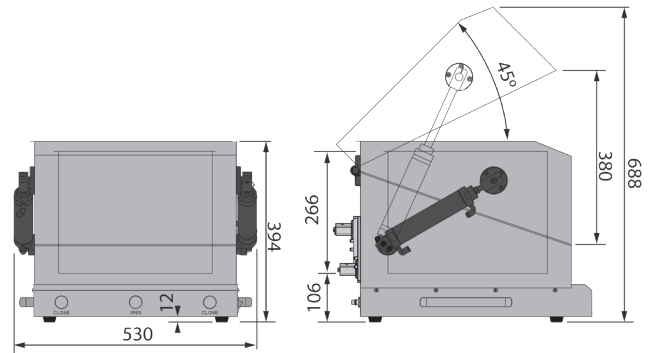
TECHNICAL SPECIFICATIONS

Frequency (GHz)	0.8~6GHZ
Shielding effect	≥75 Db @2.4GHz ≥70 Db @5.8GHz
Radio frequency interface	SMA*4
Data interface	See our filter modules
AC power requirements	AC 110V-220V/50-60HZ
Work size(mm)	433(W)*440(D)*313(H)
Outer dimensions (mm)	530(W)*562(D)*395(H)
Box body material	Coll plated, the surface paint
Weight (kg)	30
Working temperature (°C)	0-50
Appearance color	Beige

* Notice: dimensions are indicative

FEATURES

- High levels of shielding attenuation, greater than 75 dB
- Box can be equipped with shielded power filters for power
- Connection in the box while still blocking all wireless signals.
- Easy & Flexible operation in Lab and production line
- R&D, custom design



ORDER EXAMPLE

Series

MPSB-43-44-31-C