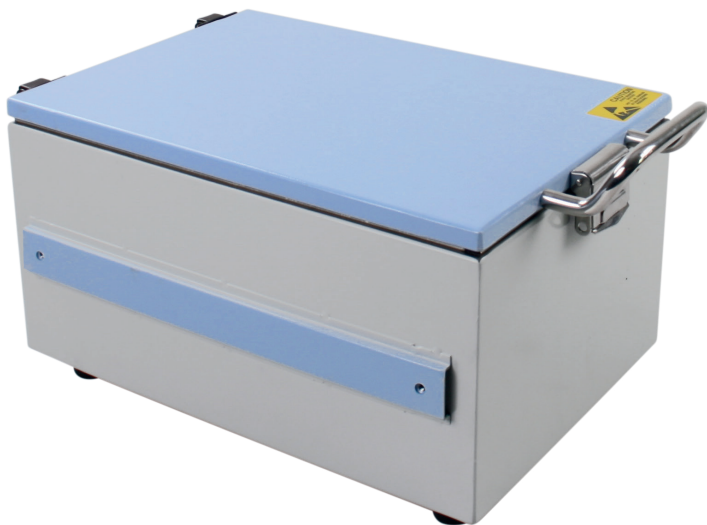


MEDIUM SHIELDED EXPERIMENT BOX

Medium shielded box to block wireless communication during testing and measurements



Medium shielded test box (230 x 320 x 160mm)

- Audio frequency interface: N-SMA*6
- Box body material: Aluminum alloy with painted surface
- Application: for Bluetooth, WiFi, 3G, wireless test, RFID
- Frequency: 0~6000MHz.

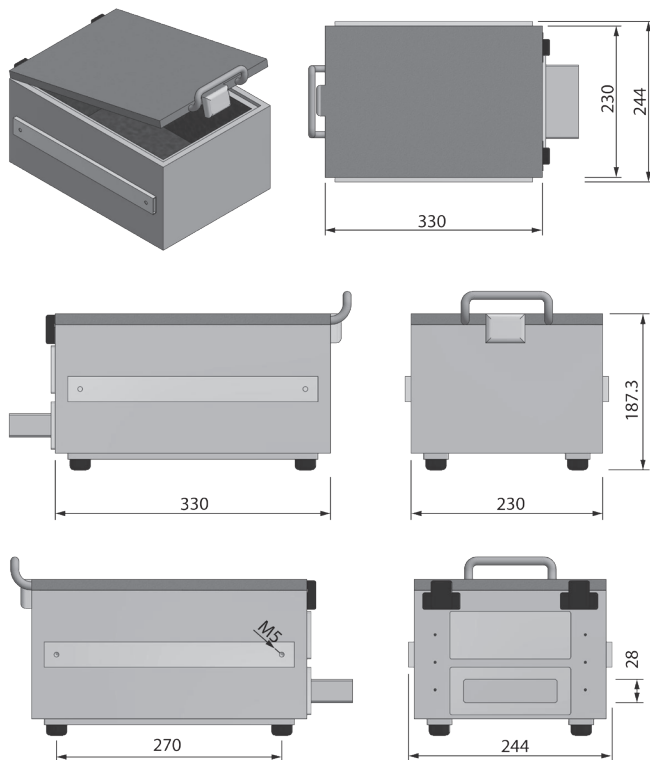
TECHNICAL SPECIFICATIONS

Shielding effect	≥70 dB @2.4GHz
	≥65 dB @5.8GHz
Interface type	See our filter modules
Numbers of filters	2pcs
Working temperature (°C)	(0-70)
Working dimensions (mm)	224.6(W)*320(D)*162.3(H)
Outer dimensions (mm)	240(W)*389.86(D)*217(H)
Box body material	Aluminum alloy, the surface paint
Weight(kg)	8 kg

* Notice: dimensions are indicative

FEATURES

- High levels of shielding attenuation, greater than 70 dB
- Box can be equipped with shielded power filters
- Connection in the box while still blocking all wireless signals
- Easy & Flexible operation in Lab and production line.
- R&D, custom design
- Easy to transport



ORDER EXAMPLE

Series

MPSB-23-32-16

*Notice

Information supplied in these data sheets is based on independent and laboratory tests which Holland Shielding Systems BV, hereafter referred to as HSS believes to be reliable. HSS has no control over the design of customer's product which incorporates products, therefore it is the responsibility of the user to determine the suitability for his particular application and we recommend that the user make his own test to determine suitability.

The product described in this data sheet shall be of standard quality, however the products are sold without warranty of fitness for a particular purpose, either expressed or implied, except to the extent expressly stated on HSS invoice, quotation or order acknowledgment. HSS does not warrant that products described in this data sheet will be free of conflict with existing or future patents of third parties. All risks of lack of fitness, patent infringement and the like are assumed by the user.