

HONEYCOMB FAN SHIELD 9530

Honeycomb ventilation grids specifically designed for standard sized fans in e.g. computer cases



A range of low cost EMC vents for use with standard fan size fans. The Honeycomb fan shield 9530 series are designed to provide EMI shielding and maximum air flow without degrading the fan output.

These vents provide a low cost option to perforated metal when airflow rates are critical. A beautiful high-gloss acrylic frame is fitted with one layer of 6.35 or 12.7 thick honeycomb material and an optional Amucor conductive gasket to ground the honeycomb to the metalwork.

Honeycomb Fan Shield in almost all sizes corresponding to industry standard fans with standard 4-hole mounting.

DUST SCREEN (ON REQUEST)

Dust screens consisting of multilayer expanded aluminum can be added, but airflow will be restricted.

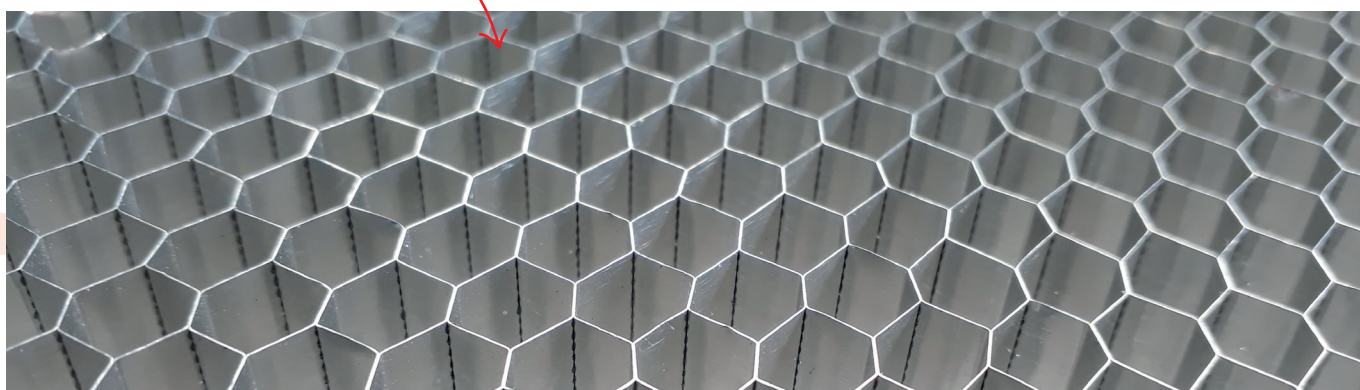
SHIELDING PERFORMANCE*

Shielding performance is achieved from 1/8 cell aluminum honeycomb panels with compressed mounted in a square shaped flat Mu-ferro plate with a circular cut-out on the inside. The contact with the housing is made with an amucor shielding gasket cut into the correct shape of the Honeycomb fan shield.

Performance below have been measured with honeycomb specifications 1/8 Cell size, 1/4 Thick.

Frequency	Field	Typical (db)
200 kHz	H	53
100 MHz	E	102
500 MHz	P	85
2 GHz	P	74
10 GHz	P	58

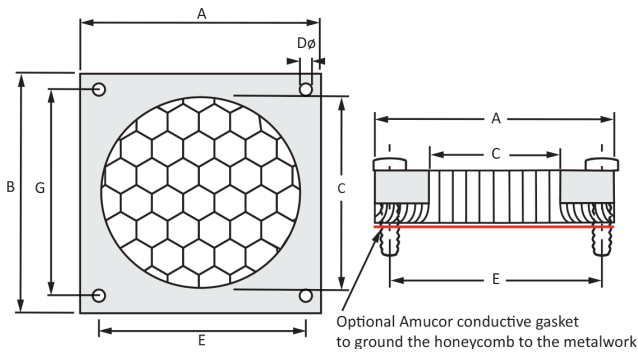
any size, any shape according to drawing



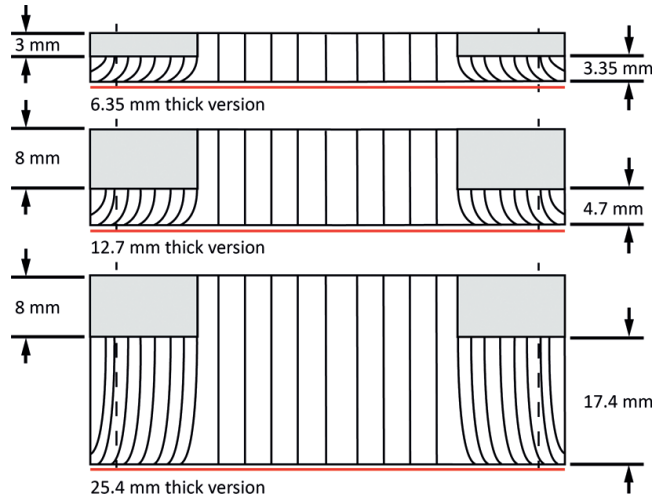
» HONEYCOMB FAN SHIELD 9530

STANDARD DIMENSIONS

In the table below some common types are specified to illustrate the required information. The hole diameter is standard 3.5mm but it can also be delivered in any other size.



HONEYCOMB FAN SHIELD AVAILABLE THICKNESSES



Part number	Outer dimension				Mounting holes horizontal		Mounting holes vertical	
	A	B	C	D	No	E	No	G
9530-40-40	40	40	31.5	3.5 mm	2	32	2	32
9530-50-40	50	50	41.2	3.5 mm	2	40	2	40
9530-60-60	60	60	53	3.5 mm	2	50	2	50
9530-70-70	70	70	60	3.5 mm	2	60	2	60
9530-80-80	80	80	70	3.5 mm	2	71.5	2	71.5
9530-90-90	90	90	80	3.5 mm	2	82.5	2	82.5
9530-120-120	120	120	105	3.5 mm	2	104.8	2	104.8
9530-140-140	140	140	125	3.5 mm	2	124.5	2	124.5
9530-200-200	200	200	185	3.5 mm	2	154	2	154
9530-220-220	220	220	205	3.5 mm	2	170	2	170

(Optional) other sizes on request

ORDER EXAMPLE

Series	Height (mm)	Width (mm)	Thickness (mm)	EMC gasket
9530	Specify the outer dimension in mm	Specify the outer dimension in mm	6.35 : 6.35mm thick honeycomb material 12.7 : 12.7mm thick honeycomb material 25.4 : 25.4mm thick honeycomb material	N : No gasket A : Amucor gasket