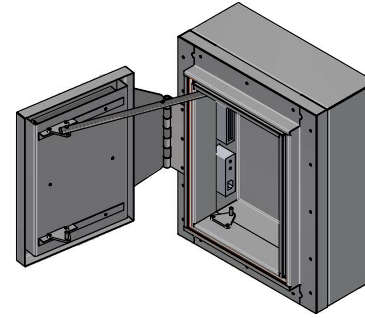
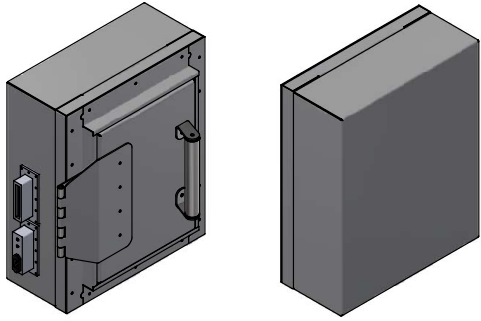
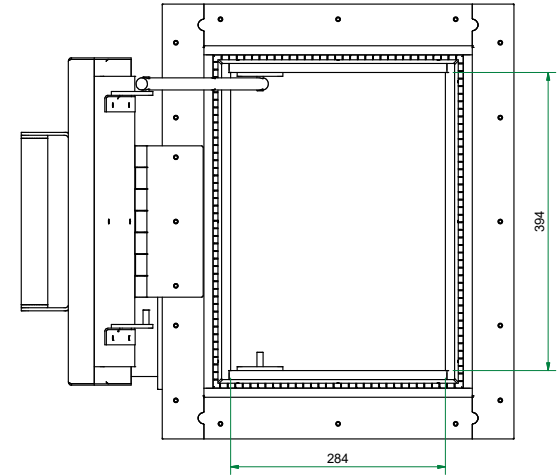
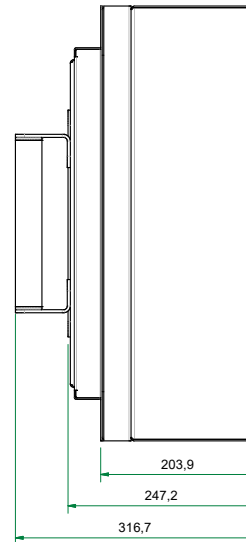
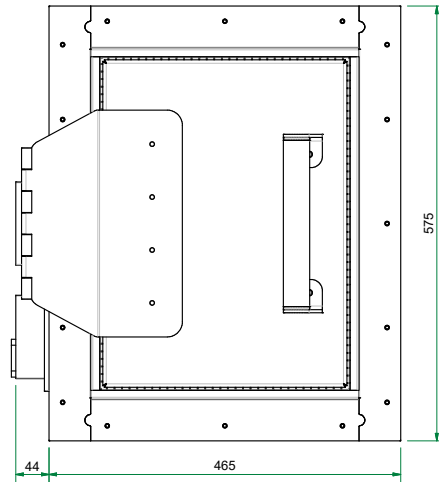
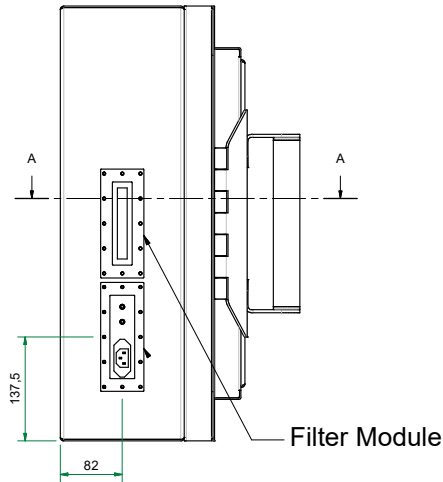
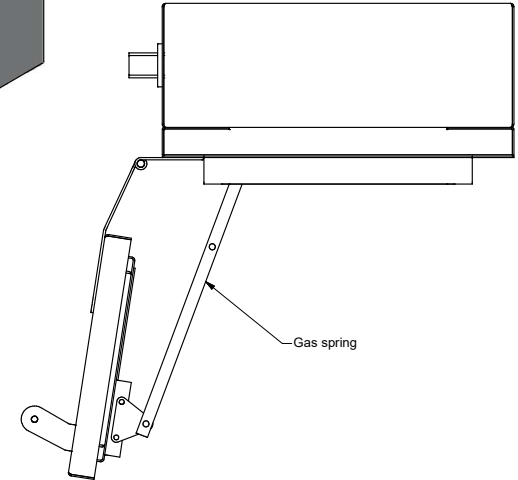
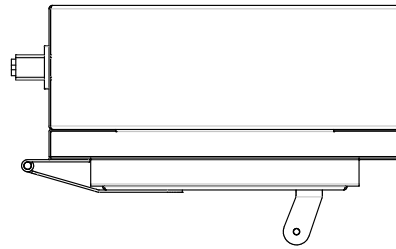
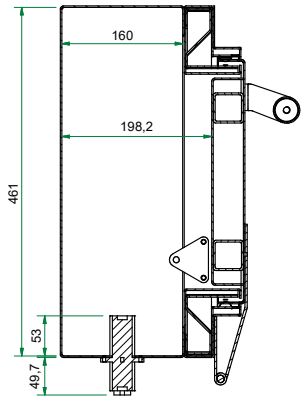



HPSB - Standard EM Shielded box (575x465x244) mm

| FOR APPROVAL |        |                     |
|--------------|--------|---------------------|
| date :       | name : | signature / stamp : |
|              |        |                     |



A-A



|   |  |                      |                        |           |
|---|--|----------------------|------------------------|-----------|
| Title :<br>Projectname : EM Shielded box (575x465x244) mm   |  | Scale<br>1 : 9       | Designed : M. Kerthoff | Checked : |
| Client :  |  | Projection<br>1 of 1 | Date : 4-10-2022       | Date :    |
|  WWW.HOLLANDSHIELDING.COM<br>TELEFOON : +31 78 204 9000<br>FAX : +31 78 204 9008<br>E-MAIL : INFO@HOLLANDSHIELDING.COM |  | Page<br>A2           | Project number :       | Rev<br>A  |
|   |  | Drawing number       |                        |           |

THIS DRAWING IS THE PROPERTY OF HOLLAND SHIELDING SYSTEMS BV AND IS SUPPLIED ONLY FOR INFORMATION. IT IS NOT ALLOWED TO BE COPIED, REPRODUCED OR DISCLOSED AND NO RIGHTS CAN BE DERIVED FROM THIS DRAWING.