

TECHNICAL DRAWING TC

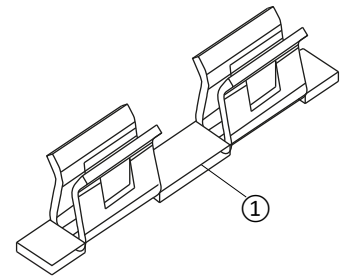


Drawing Number: 14461

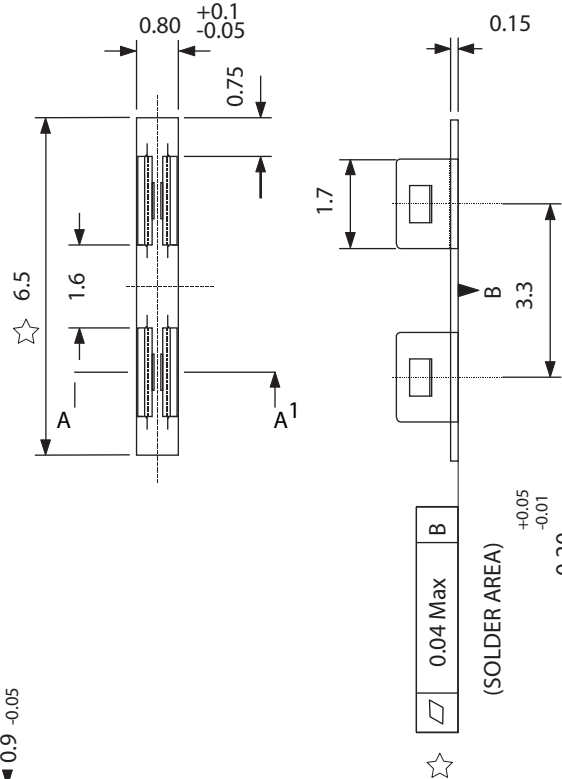
All dimensions in mm

Need to scale

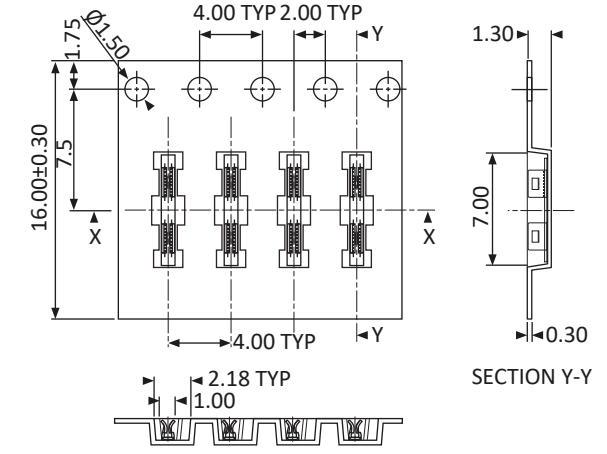
Isometric drawing



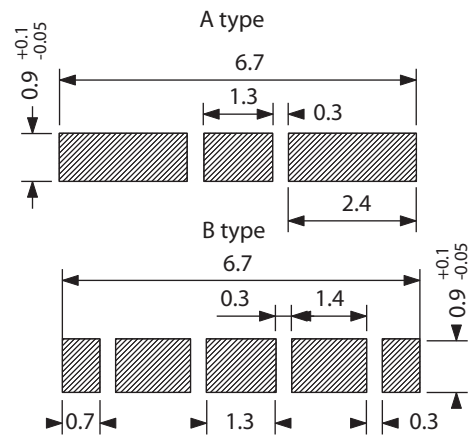
2d drawing



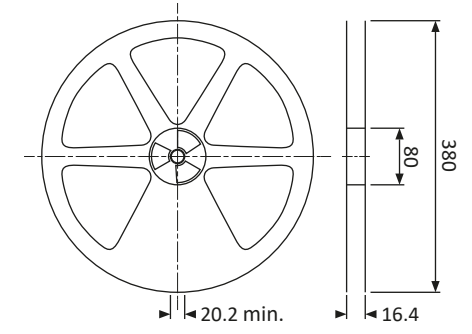
Plastic Carrier specification (Antistatic material)



Recommended solder land size



Plastic reel drawing SECTION X-X



(Quantity per reel : 15.000)

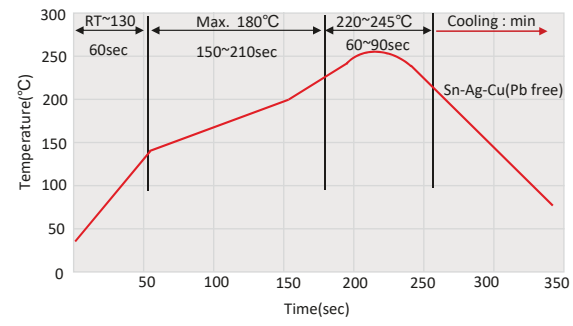
'A' or 'B' type recommend soldering land pattern 0.1T

Characteristics of each material

No.	Material Name	Specification	Material
1	Stainless steel	Thickness : 0.15 ± 0.01	SUS 301-1/2H

- Note
- Material : Stainless steel SUS301-1/2H
 - Finish : Nickel (Ni) plated and afterwards matte tin (Sn) plated
 - Mechanical characteristics :
 - Insertion force : 0.1~2.0 kgf
 - Withdrawal force : 0.1~2.0 kgf
 - Durability : 10 Insertions Max.
 - Contact resistance : 100mΩ Max.
 - Shield thickness : 0.20mm ~ 0.25mm
 - Environmental characteristics :
 - Operating temperature range : -40°C TO +150°C
 - Storage temperature range : -40°C TO +85°C
 - Salt spray test : None corrosion
 - Meet Eu-RoHS
- This specification will be changed without previous notice)

Reflow soldering condition



Holland Shielding Systems BV

Jacobus IJpsweg 124
3316BP Dordrecht
the Netherlands

E-mail: info@hollandshielding.com
Phone: +31 (0)78 - 613 13 66
Fax: +31 (0)78 - 614 95 85

Title: Drawing Tiny clip
Drawing: Tiny clip
Number: 14461
Date: 05-09-2014
Drawing by: Christian van Vugt
Finish: Tin over nickel
Dimension classification: ★Critical
 ▼Major
 () Reference
Tolerance: X ±0.25
 XX ±0.10