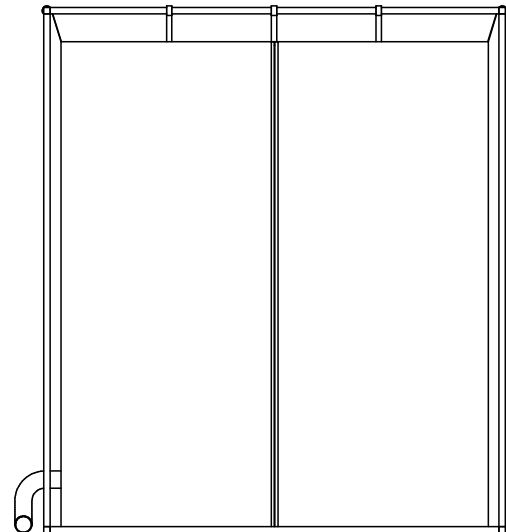
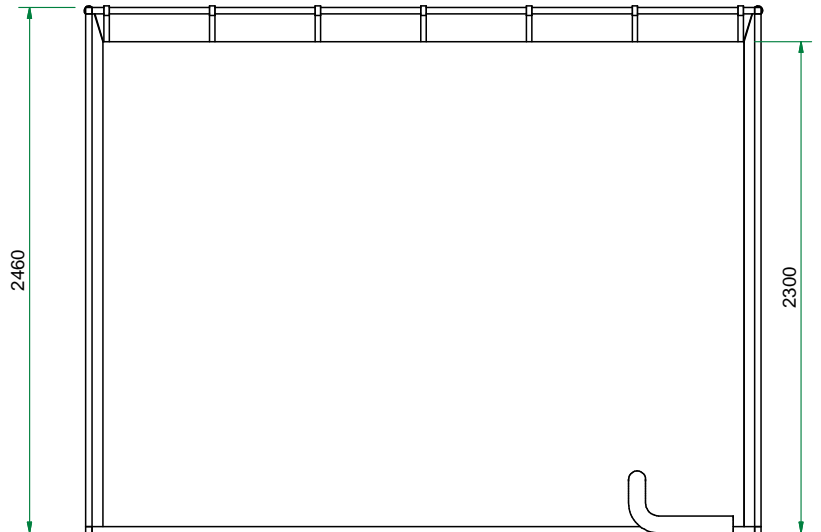
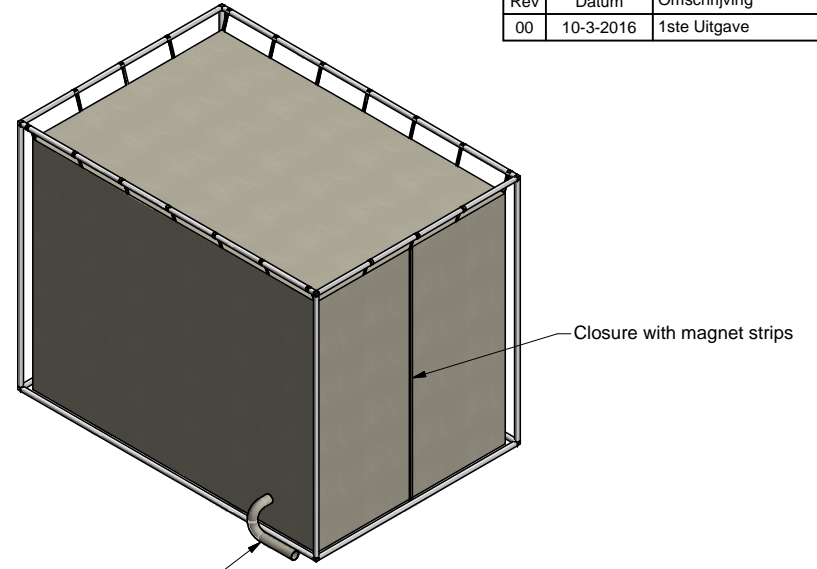
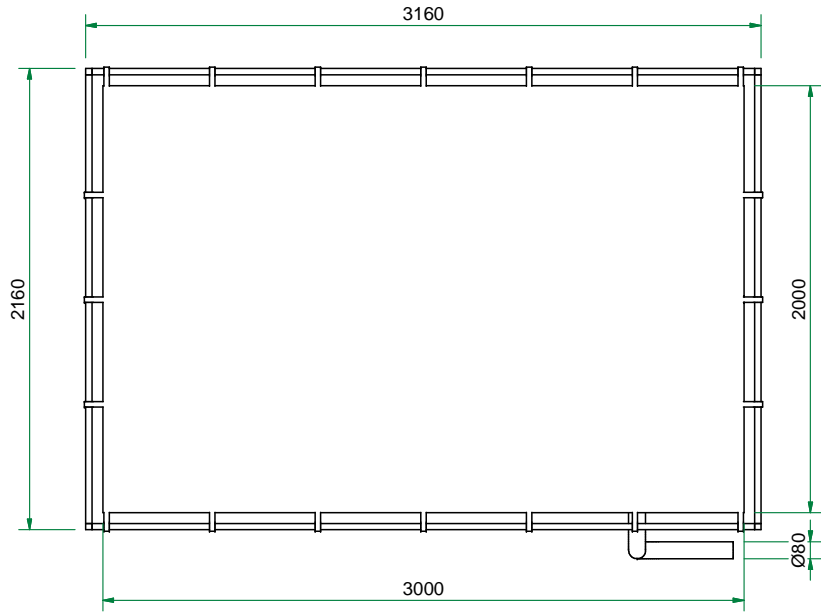



Rev	Datum	Omschrijving
00	10-3-2016	1ste Uitgave



Description : Shielded tent		Scale	Designed : MdB	Checked :		
Projectname : Tent size 2.000x3.000x2.300 (LxBxH)			Date : 10-3-2016	Date :		
Client :		Projection	A3 Page	Project number:	Rev.	
 Holland Shielding Systems BV WWW.HOLLANDSHIELDING.COM TELEFOON : +31 78 204 9000 FAX : +31 78 204 9008 E-MAIL : INFO@HOLLANDSHIELDING.COM				1 van 1	Drawing number	00
				Tent in frame 2x3 sleeve		

THIS DRAWING IS THE PROPERTY OF HOLLAND SHIELDING SYSTEMS BV AND IS SUPPLIED ONLY FOR INFORMATION. IT IS NOT ALLOWED TO BE COPIED, REPRODUCED OR DISCLOSED AND NO RIGHTS CAN BE DERIVED FROM THIS DRAWING