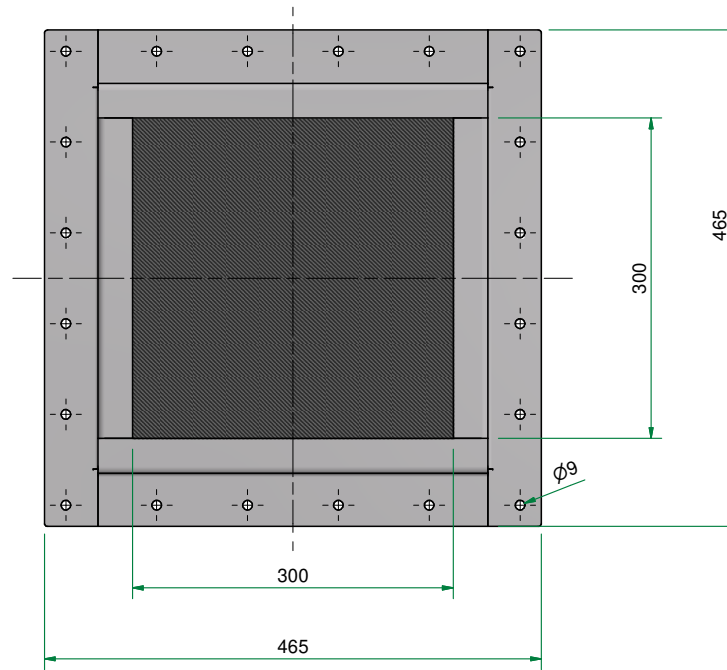
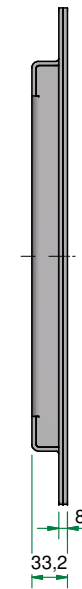


Top view




Front view



Side view

FOR APPROVAL		
date :	name :	signature / stamp :

Title : Heavy Honeycomb (x)		Scale	Designed : M. Lindberg	Checked :
Projectname : H Honeycomb (465x465)		1 : 5	Date : 18-12-2017	Date :
Client : Klant		Projection	A3 Page	Project number:
 Holland Shielding Systems BV WWW.HOLLANDSHIELDING.COM TELEFOON : +31 78 204 9000 FAX : +31 78 204 9008 E-MAIL : INFO@HOLLANDSHIELDING.COM				SO
		1 of 1		Assembly

THIS DRAWING IS THE PROPERTY OF HOLLAND SHIELDING SYSTEMS BV AND IS SUPPLIED ONLY FOR INFORMATION. IT IS NOT ALLOWED TO BE COPIED, REPRODUCED OR DISCLOSED AND NO RIGHTS CAN BE DERIVED FROM THIS DRAWING