

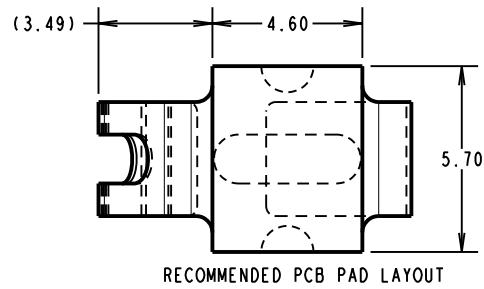
2901-17 - 7.25mm high Multi-Directional Spring Contact, low force

Drawing Number: 14484

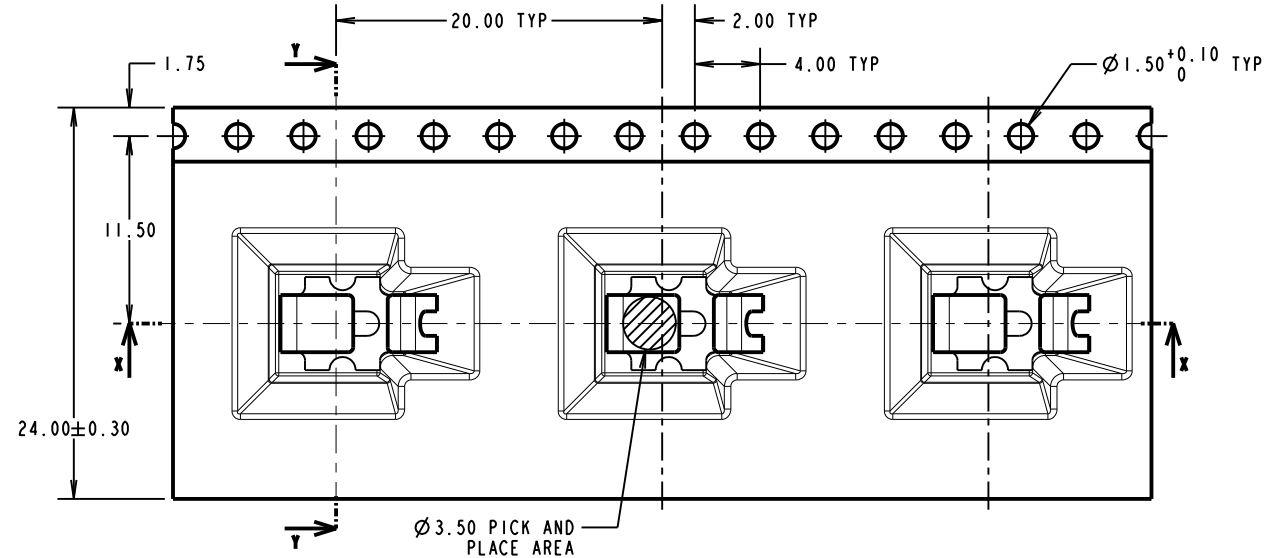
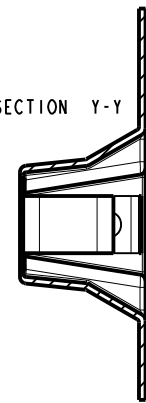
All dimensions in mm

Need to scale

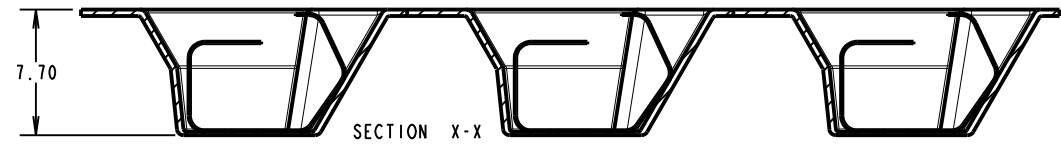
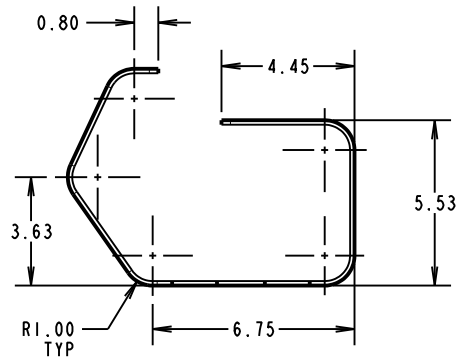
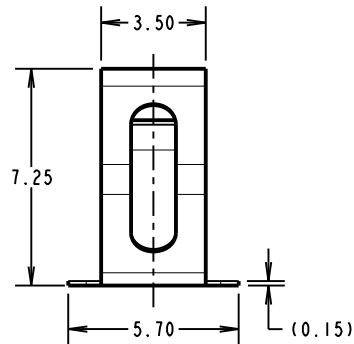
Third angle protection



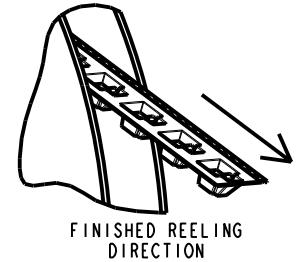
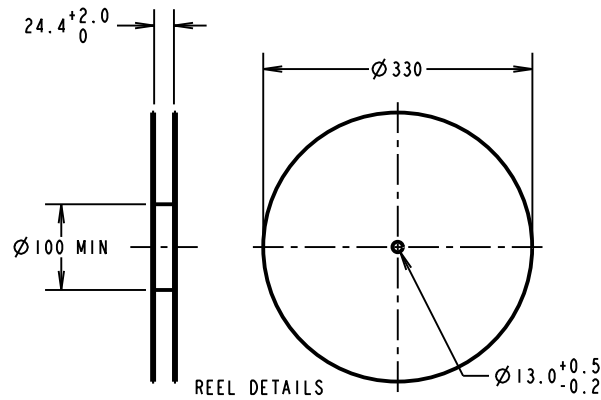
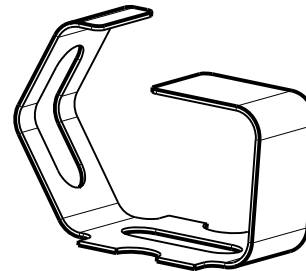
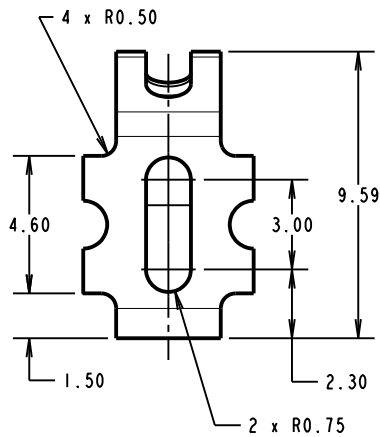
SECTION Y-Y



- NOTES:
 1. QUANTITY OF COMPONENTS PER REEL = 350.
 2. THIS PRODUCT IS TAPED AND REELED IN ACCORDANCE WITH EIA-481 (ELECTRONICS INDUSTRIES ASSOCIATION).



COMPONENT DETAILS



Holland Shielding Systems BV

Holland Shielding Systems BV
 Jacobus Iipsweg 124
 3316BP Dordrecht
 the Netherlands

E-mail: info@hollandshielding.com
 Phone: +31(0)78-2049000
 Fax: +31(0)78-2049008

Tolerances
 x. = -1mm
 xx. = -0.50mm
 xxx. = -0.10mm
 xxxxx = -0.01mm
 Angles = -5°
 Unless stated

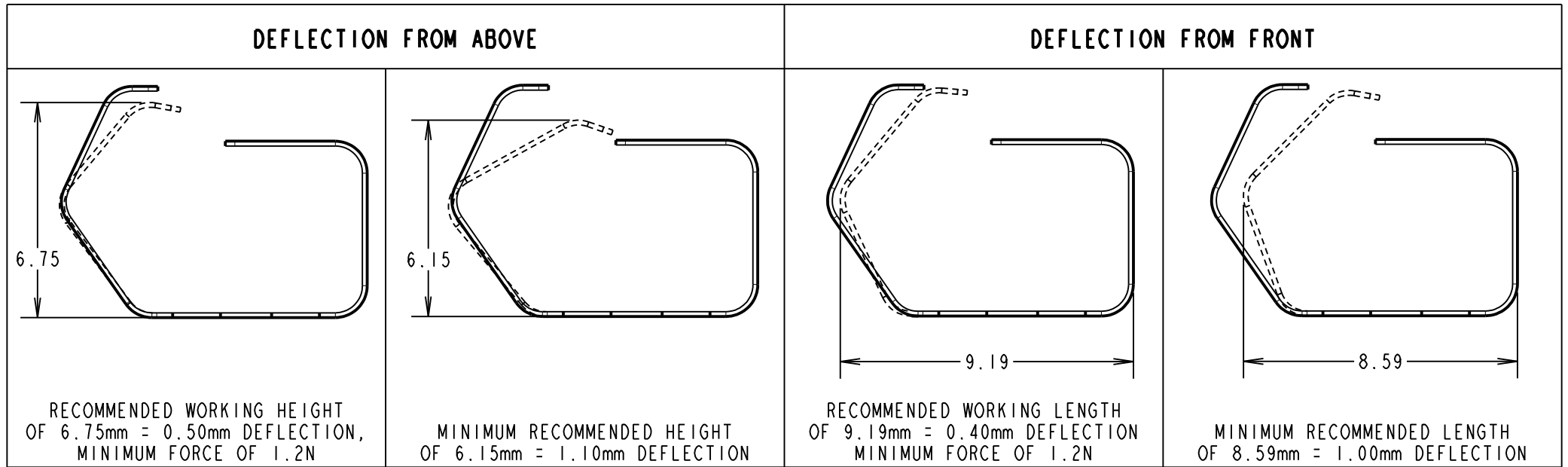
Material: See above
 Finish: See above
 S/Area: mm²

Title: 2901-17 - 7.25mm high Multi-Directional Spring Contact, low force Technical Drawing
 Drawing: 2901-17 - 7.25mm

	20-06-2016	14484
	Date	Number
Approved: Arend Langendam		
Drawing: Christian van Vugt		
Customer reference:		
Assembly DRG:		

2901-17 - 7.25mm high Multi-Directional Spring Contact, low force

Drawing Number: 14484 All dimensions in mm Need to scale Third angle projection



COMPONENT SPECIFICATION:
 MATERIAL = BERYLLIUM COPPER
 FINISH = 3 μ 100% TIN OVER 2 μ NICKEL
 CURRENT RATING = 7A MAX
 DURABILITY = 5000 CYCLES

	20-06-2016	14484
	Date	Number
Approved: Arend Langendam		
Drawing: Christian van Vugt		
Customer reference:		
Assembly DRG:		



**Holland
Shielding
Systems BV**

Holland Shielding Systems BV

Jacobus lipsweg 124
3316BP Dordrecht
the Netherlands

E-mail: info@hollandshielding.com
 Phone: +31(0)78-2049000
 Fax: +31(0)78-2049008

Tolerances
 x. = ~1mm
 x.x = ~0.50mm
 x.xx = ~0.10mm
 x.xxx = ~0.01mm
 Angles = ~5°
 Unless stated

Material: See above

Finish: See above

S/Area: mm²

Title:
2901-17 - 7.25mm high Multi-Directional Spring Contact, low force Technical Drawing

Drawing:
2901-17 - 7.25mm