

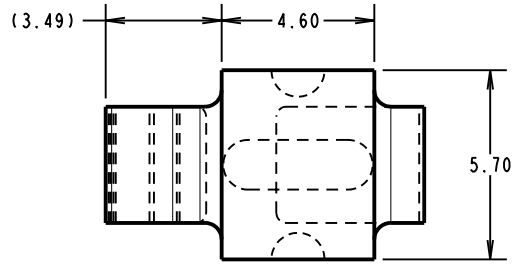
2901-16 - 7.25mm high Multi-Directional Spring Contact

Drawing Number: 14483

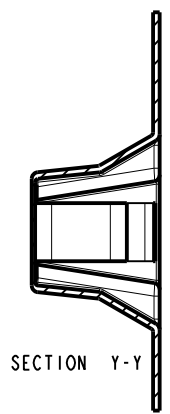
All dimensions in mm

Need to scale

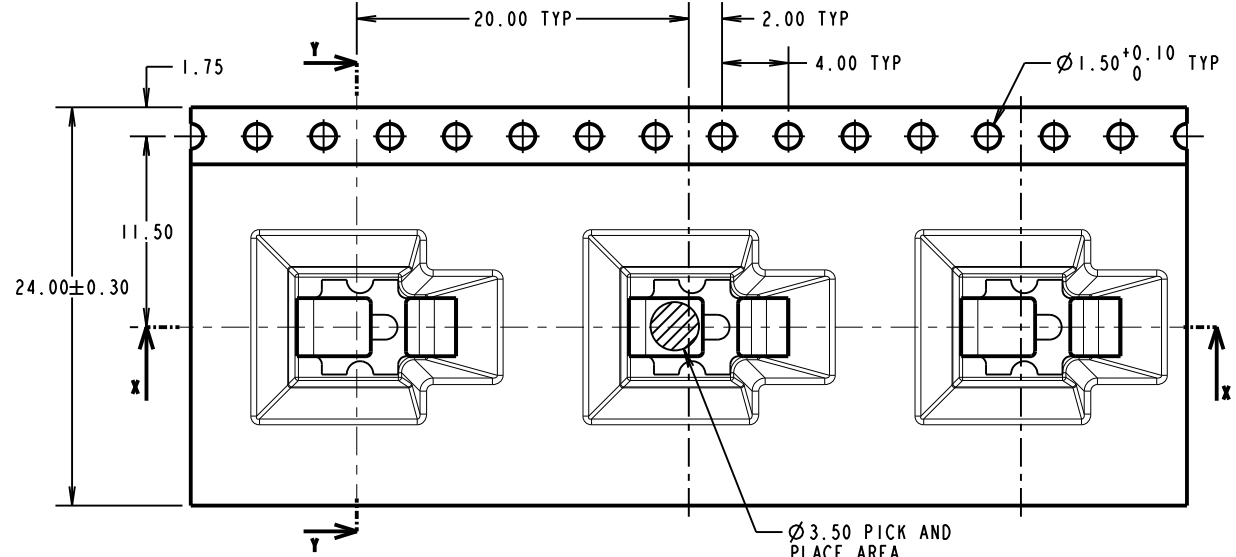
Third angle protection



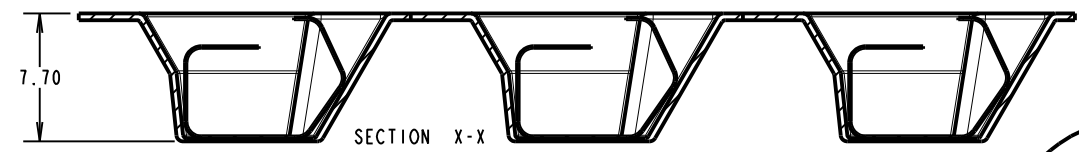
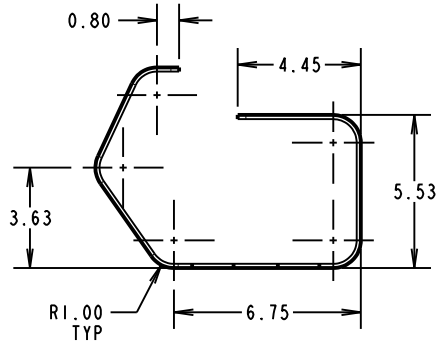
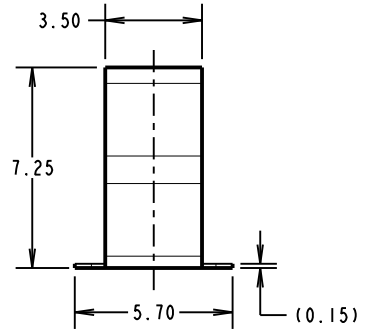
RECOMMENDED PCB PAD LAYOUT



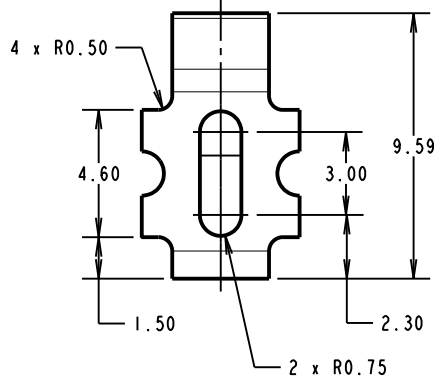
SECTION Y-Y



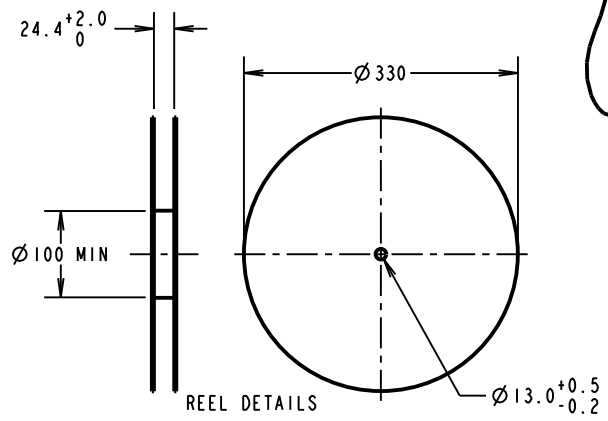
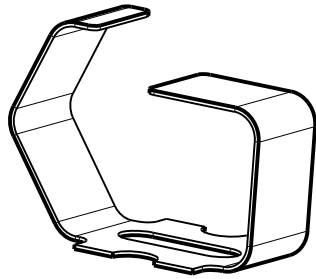
NOTES:
 1. QUANTITY OF COMPONENTS PER REEL = 350.
 2. THIS PRODUCT IS TAPED AND REELED IN ACCORDANCE WITH EIA-481 (ELECTRONICS INDUSTRIES ASSOCIATION).



SECTION X-X



COMPONENT DETAILS



REEL DETAILS

	20-06-2016	14483
	Date	Number
Approved: Arend Langendam		
Drawing: Christian van Vugt		
Customer reference:		
Assembly DRG:		

Holland Shielding Systems BV

Holland Shielding Systems BV
 Jacobus IJpsweg 124
 3316BP Dordrecht
 the Netherlands

E-mail: info@hollandshielding.com
 Phone: +31(0)78-2049000
 Fax: +31(0)78-2049008

Tolerances

x.	= -1mm
x.x	= -0.50mm
x.x.x	= -0.10mm
x.x.x.x	= -0.01mm
Angles	= -5°
Unless stated	

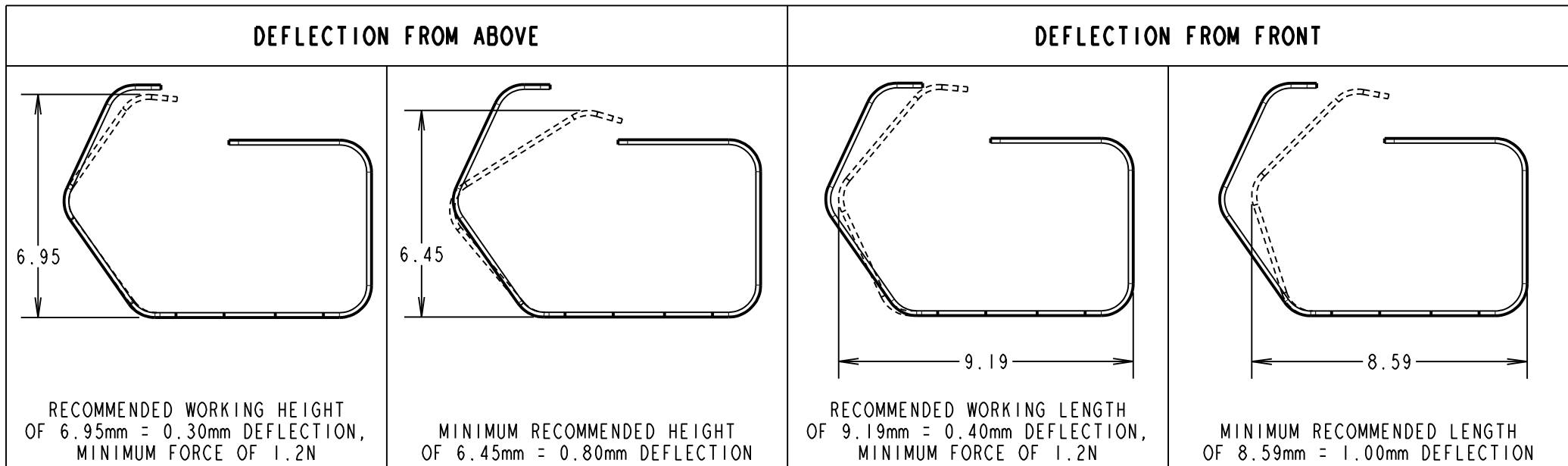
Material:	See above
Finish:	See above
S/Area:	mm ²

2901-16 - 7.25mm high Multi-Directional Spring Contact Technical Drawing

Drawing:
 2901-16 - 7.25mm

2901-16 - 7.25mm high Multi-Directional Spring Contact

Drawing Number: 14483 All dimensions in mm Need to scale Third angle projection



COMPONENT SPECIFICATION:
 MATERIAL = BERYLLIUM COPPER
 FINISH = 3 μ 100% TIN OVER 2 μ NICKEL
 CURRENT RATING = 9A MAX
 DURABILITY = 5000 CYCLES

	20-06-2016	14483
	Date	Number
Approved: Arend Langendam		
Drawing: Christian van Vugt		
Customer reference:		
Assembly DRG:		



Holland Shielding Systems BV

Jacobus lipsweg 124
3316BP Dordrecht
the Netherlands

E-mail: info@hollandshielding.com
Phone: +31(0)78-2049000
Fax: +31(0)78-2049008

Tolerances
 x. = ~1mm
 x.x = ~0.50mm
 x.xx = ~0.10mm
 x.xxx = ~0.01mm
 Angles = ~5°
 Unless stated

Material: See above

Finish: See above

S/Area: mm²

2901-16 - 7.25mm high Multi-Directional Spring Contact Technical Drawing

Drawing:
2901-16 - 7.25mm