

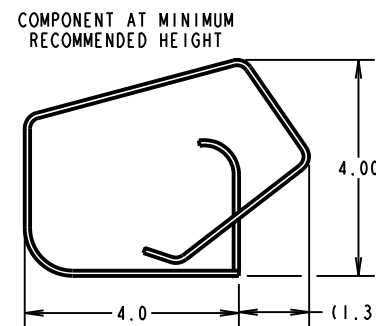
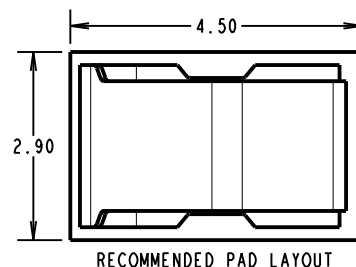
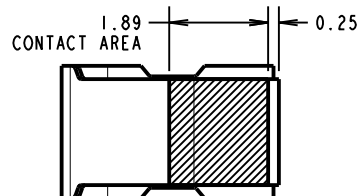
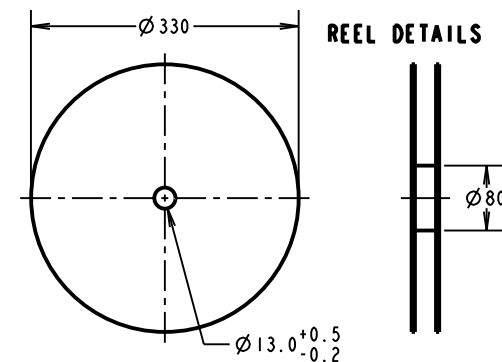
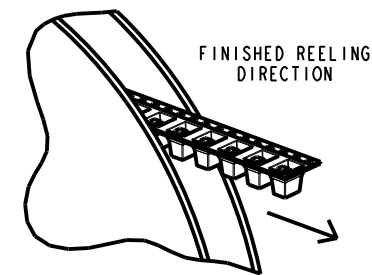
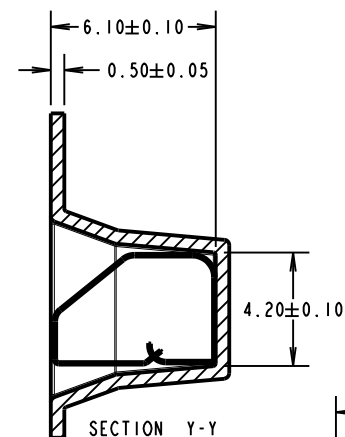
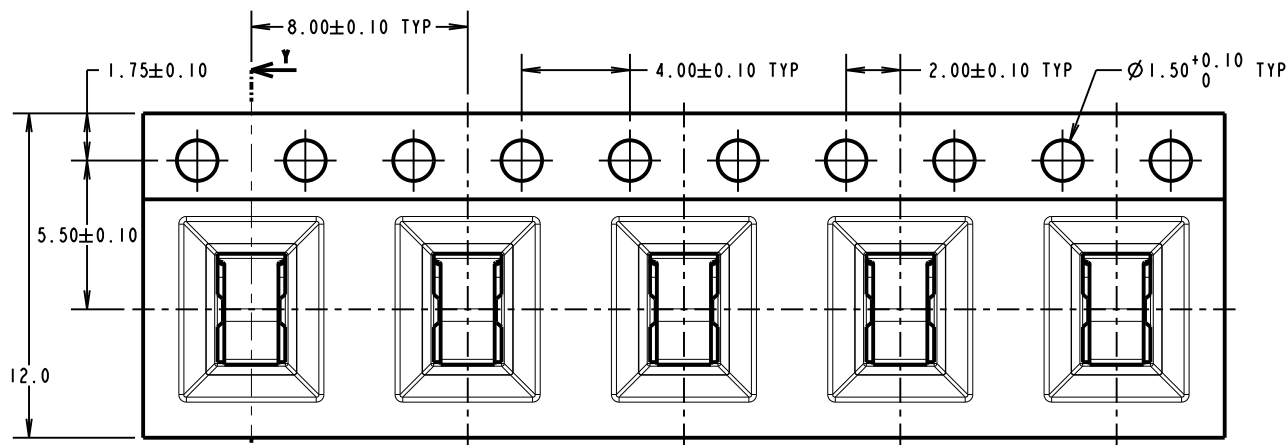
# 2901-13 - 6.0mm high Spring Contact

Drawing Number: 14480

All dimensions in mm

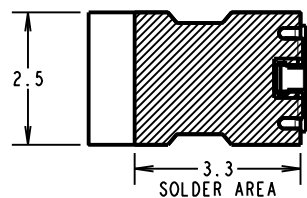
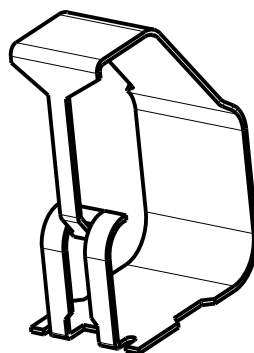
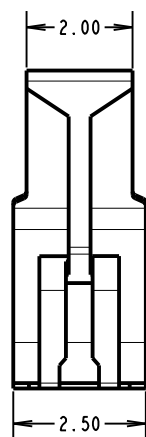
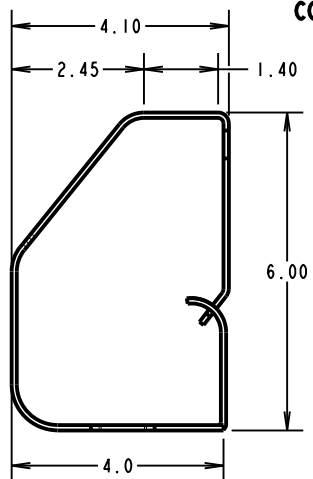
Need to scale

Third angle protection



NOTES:  
 1. QUANTITY PER REEL = 1400.  
 2. ALL TOLERANCES ARE: X.X = ±0.30mm  
 X.XX = ±0.15mm  
 UNLESS OTHERWISE STATED.

## COMPONENT DETAILS



## COMPONENT SPECIFICATION

MATERIAL = TITANIUM COPPER ALLOY, 0.10mm THICK  
 FINISH = 0.7µ - 1.3µ NICKEL, GOLD FLASH ON CONTACT  
 AND 2.54µ MIN 100% MATTE TIN ON FOOT AREA.  
 RECOMMENDED WORKING HEIGHT = 4.50mm / MIN FORCE = 1.2N  
 RECOMMENDED MINIMUM WORKING HEIGHT = 4.00mm  
 ELECTRICAL:  
 CURRENT = 4A  
 MECHANICAL:  
 DURABILITY = 2500 CYCLES  
 ENVIRONMENTAL:  
 OPERATING TEMPERATURE = -55°C TO +125°C

	20-06-2016	14480
	Date	Number
Approved: Arend Langendam		
Drawing: Christian van Vugt		
Customer reference:		
Assembly DRG:		

**Holland Shielding Systems BV**

Holland Shielding Systems BV  
 Jacobus lipsweg 124  
 3316BP Dordrecht  
 the Netherlands

E-mail: info@hollandshielding.com  
 Phone: +31(0)78-2049000  
 Fax: +31(0)78-2049008

Tolerances	See above
x	= -1mm
xx	= -0.25mm
xxx	= -0.1mm
xxxx	= ±0.1mm
Angles	Unless stated

Material:	See above
Finish:	See above
S/Area:	mm <sup>2</sup>

Title:	2901-13 - 6.0mm high Spring Contact
Drawing:	2901-13 - 6.0mm