

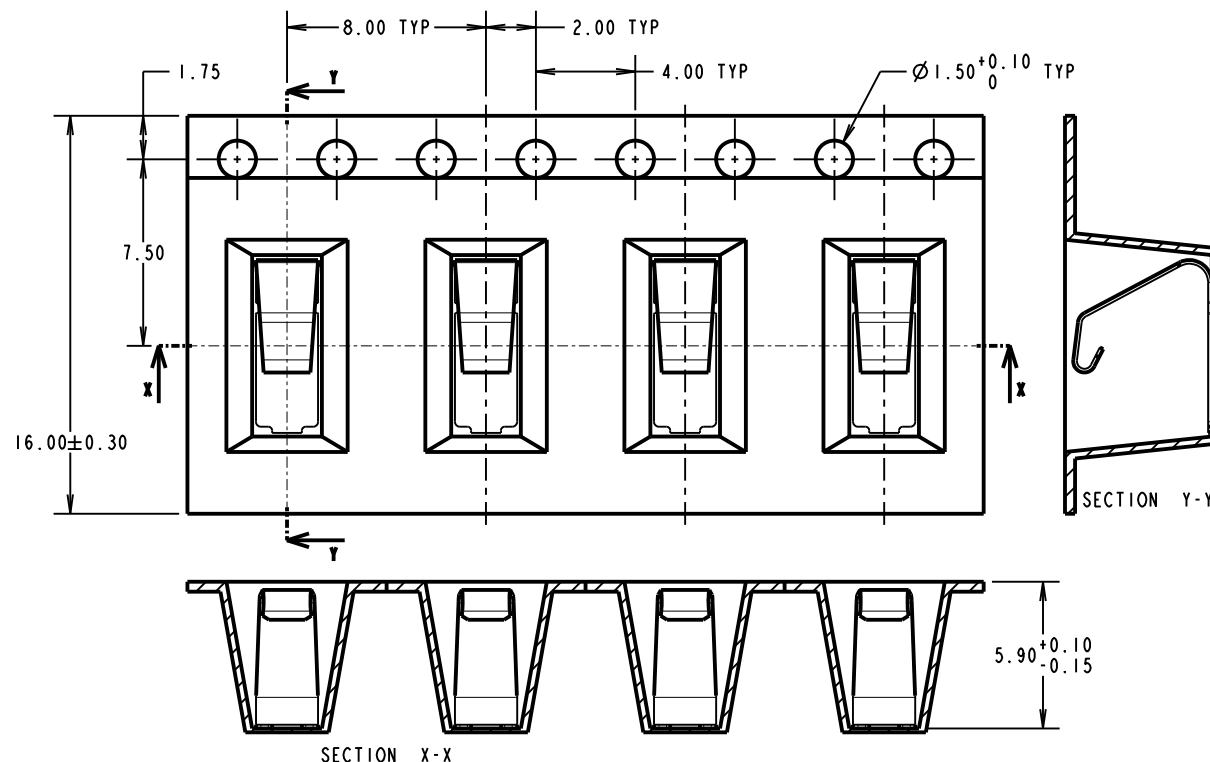
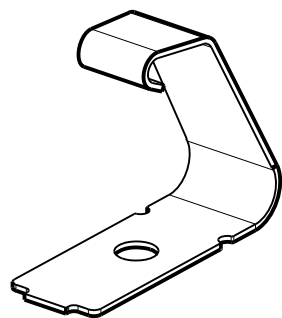
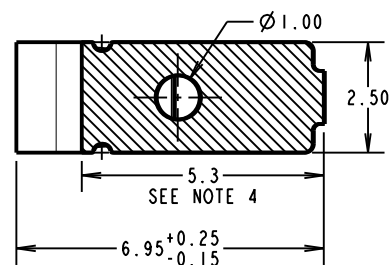
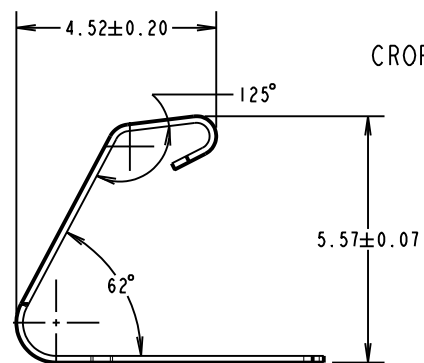
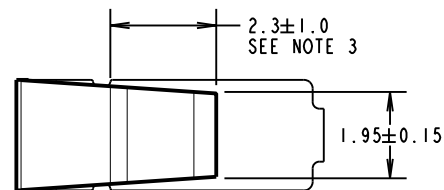
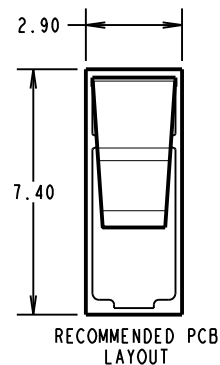
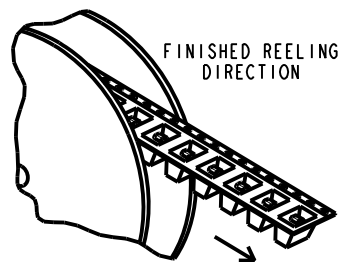
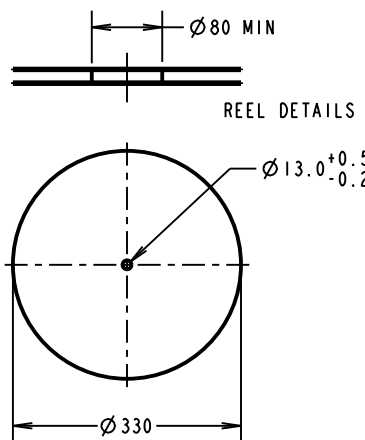
2901-12 - 5.5mm high Spring Contact

Drawing Number: 14479

All dimensions in mm

Need to scale

Third angle protection



COMPONENT SPECIFICATION

MATERIAL:

42 = TITANIUM COPPER ALLOY, 0.15mm THICK

FINISH:

2.4 μ MIN 100% TIN ON FOOT AREA,
GOLD FLASH ON CONTACT,
0.7 μ MIN NICKEL ALL OVER.

ELECTRICAL:

CURRENT RATING = 4A MAX
CONTACT RESISTANCE = 20m Ω MAX

MECHANICAL:

RECOMMENDED WORKING HEIGHT = 4.60mm / MIN FORCE = 1.2N
RECOMMENDED MINIMUM WORKING HEIGHT = 4.10mm
DURABILITY = 2500 CYCLES


ENVIRONMENTAL:

OPERATING TEMPERATURE = -55°C TO +125°C

NOTES:

1. QUANTITY OF COMPONENTS PER REEL: 1500,
2. THIS PRODUCT IS TAPED AND REELED IN GENERAL ACCORDANCE WITH EIA-481-2. (ELECTRONICS INDUSTRIES ASSOCIATION).

	20-06-2016	14479
	Date	Number
Approved: Arend Langendam		
Drawing: Christian van Vugt		
Customer reference:		
Assembly DRG:		


Holland Shielding Systems BV

Jacobus lipsweg 124
3316BP Dordrecht
the Netherlands

E-mail: info@hollandshielding.com
Phone: +31(0)78-2049000
Fax: +31(0)78-2049008

Tolerances
x. = -1mm
xx. = -0.50mm
xxx. = -0.10mm
xxxx. = -0.01mm
Angles = -5°
Unless stated

Material: See above

Finish: See above

S/Area: mm²

Title:
2901-12 - 5.5mm high Spring Contact

Drawing:
2901-12 - 5.5mm