

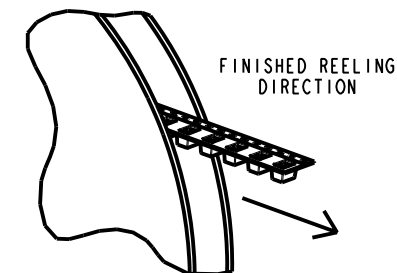
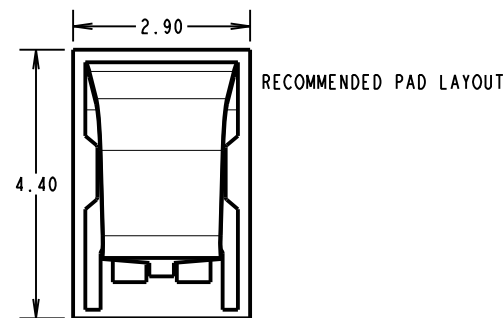
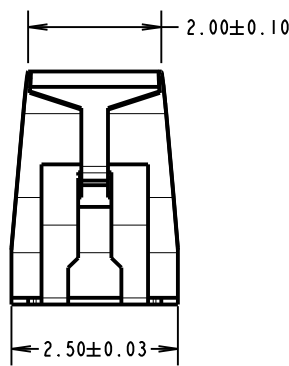
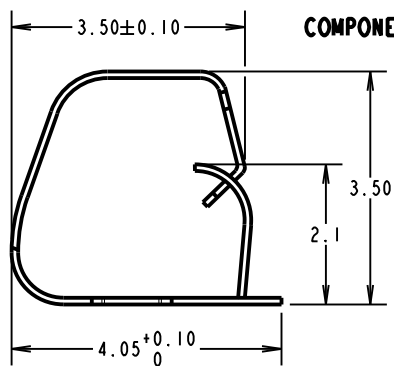
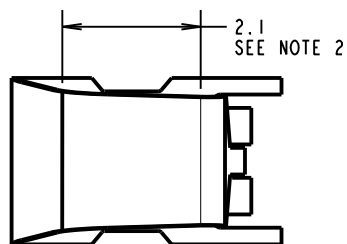
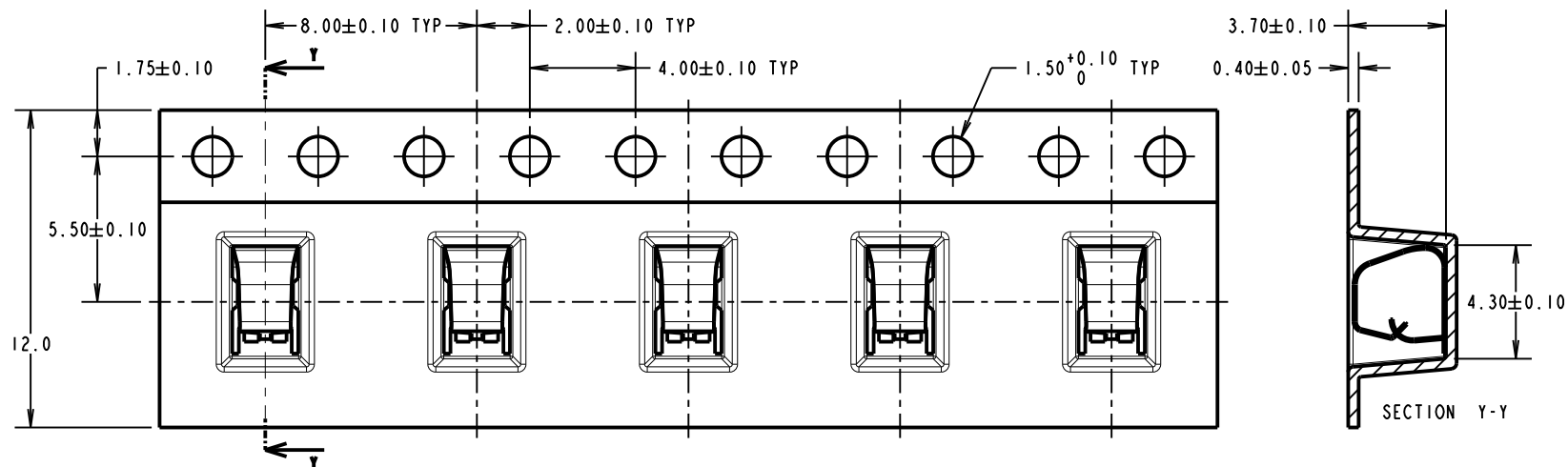
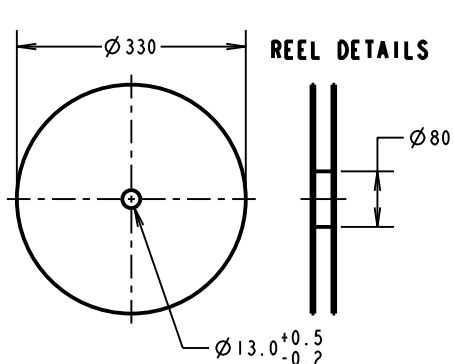
2901-08 - 3.5mm high Spring Contact

Drawing Number: 14475

All dimensions in mm

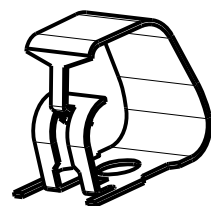
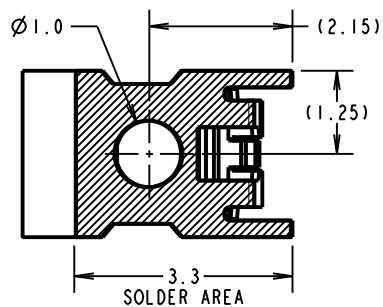
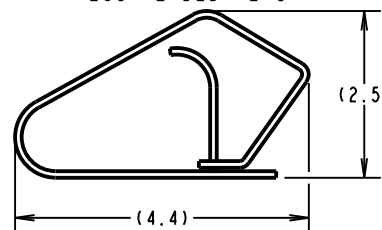
Need to scale

Third angle protection



COMPONENT SPECIFICATION:
 MATERIAL = TITANIUM COPPER ALLOY,
 0.10mm THICK
 FINISH = 0.7µ-1.3µ NICKEL, GOLD FLASH
 ON CONTACT AND 2.54µ MIN 100%
 TIN ON FOOT AREA.
 RECOMMENDED WORKING HEIGHT = 3.00mm / MIN FORCE = 1.2N
 RECOMMENDED MINIMUM WORKING HEIGHT = 2.50mm
 ELECTRICAL:
 CURRENT RATING = 3A
 MECHANICAL:
 DURABILITY = 2000 CYCLES
 ENVIRONMENTAL:
 OPERATING TEMPERATURE = -55°C TO +125°C

COMPONENT AT MINIMUM RECOMMENDED HEIGHT



SCALE 8

NOTES:
 1. QUANTITY PER REEL = 2500.
 2. GOLD PLATED AREA.
 3. ALL TOLERANCES ARE: X.X = ±0.30mm
 X.XX = ±0.15mm
 UNLESS OTHERWISE STATED.

	20-06-2016	14475
	Date	Number
Approved: Arend Langendam		
Drawing: Christian van Vugt		
Customer reference:		
Assembly DRG:		

Holland Shielding Systems BV

Holland Shielding Systems BV
 Jacobus lipsweg 124
 3316BP Dordrecht
 the Netherlands

E-mail: info@hollandshielding.com
 Phone: +31(0)78-2049000
 Fax: +31(0)78-2049008

Tolerances	See above
x	= -1mm
xx	= -0.25mm
xxx	= -0.1mm
xxxx	= 0.1mm
Angles	Unless stated

Material:	See above
Finish:	See above
S/Area:	mm ²

Title:	2901-08 - 3.5mm high Spring Contact Technical Drawing
Drawing:	2901-08 - 3.5mm