

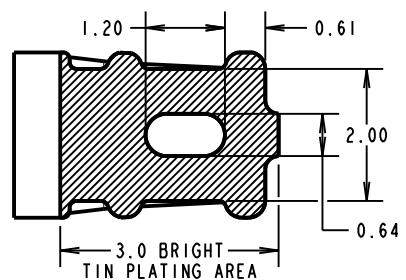
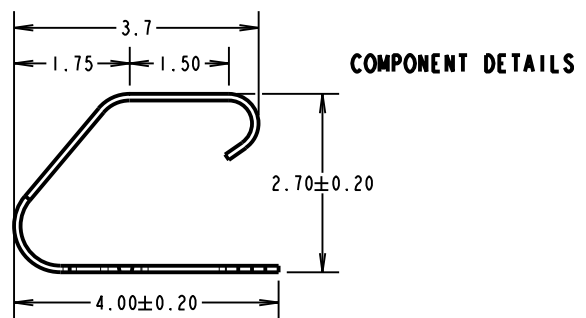
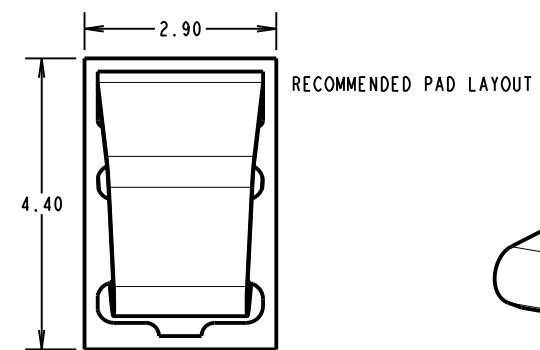
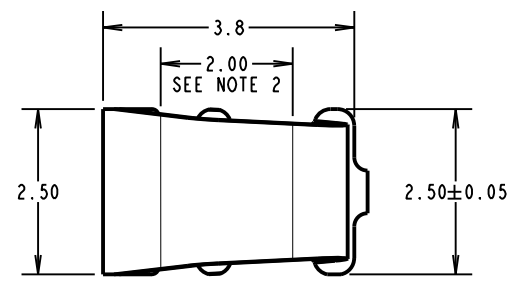
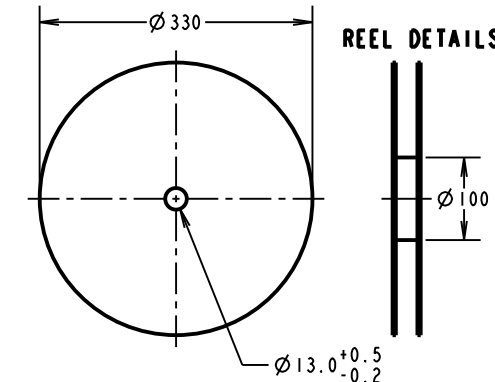
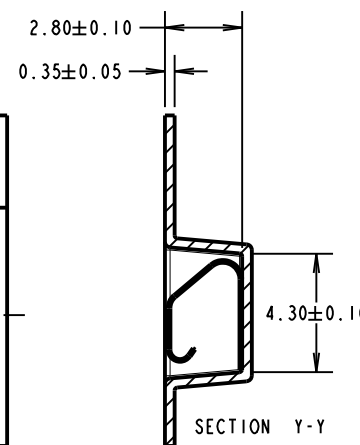
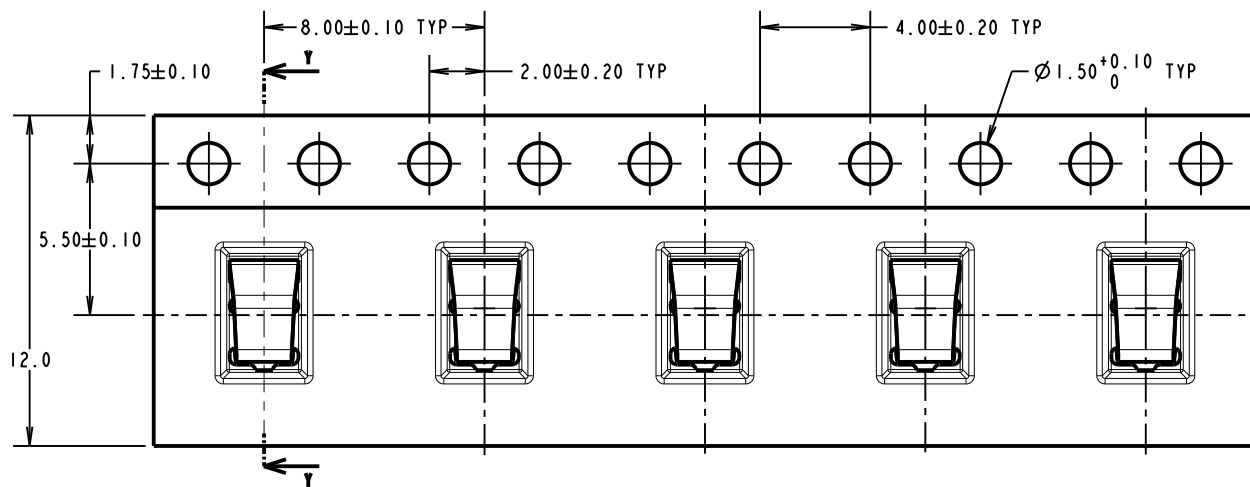
2901-04 - 2.7mm high Spring Contact

Drawing Number: 14472

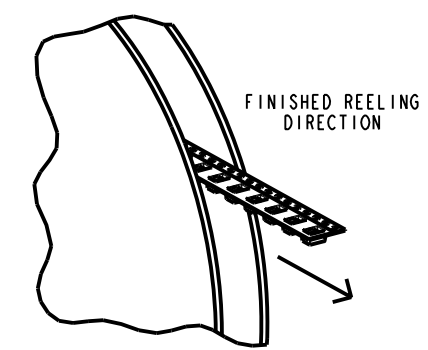
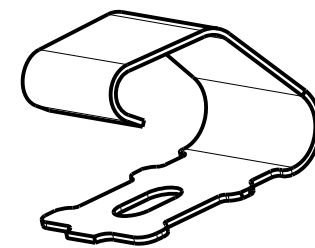
All dimensions in mm

Need to scale

Third angle protection



COMPONENT SPECIFICATION:
 MATERIAL = TITANIUM COPPER ALLOY
 0.10mm THICK
 FINISH = 0.7µ-1.3µ NICKEL, GOLD FLASH ON CONTACT AND 2.54µ MIN 100% TIN ON FOOT AREA.
 RECOMMENDED WORKING HEIGHT = 2.30mm / MIN FORCE = 1.2N
 RECOMMENDED MINIMUM WORKING HEIGHT = 1.90mm
ELECTRICAL:
 CURRENT RATING = 6A
MECHANICAL:
 DURABILITY = 2000 CYCLES
ENVIRONMENTAL:
 OPERATING TEMPERATURE = -55°C TO +125°C



NOTES:
 1. QUANTITY PER REEL = 2500.
 2. GOLD PLATED AREA.
 3. ALL TOLERANCES ARE: X.X = ±0.30mm
 X.XX = ±0.15mm
 UNLESS OTHERWISE STATED.

	20-06-2016	14472
	Date	Number
Approved: Arend Langendam		
Drawing: Christian van Vugt		
Customer reference:		
Assembly DRG:		

<p>Holland Shielding Systems BV Jacobus lipsweg 124 3316BP Dordrecht the Netherlands</p>	<p>E-mail: info@hollandshielding.com Phone: +31(0)78-2049000 Fax: +31(0)78-2049008</p>	<p>Tolerances = -1mm x. = -0.25mm xx = -0.15mm xxx = -0.1mm xxxx = -0.05mm Angles Unless stated</p>	<p>Material: See above</p>	<p>Title: 2901-04 - 2.7mm high Spring Contact Technical Drawing</p>
		<p>Finish: See above</p>	<p>Drawing: 2901-04 - 2.7mm</p>	
<p>S/Area: mm²</p>				