

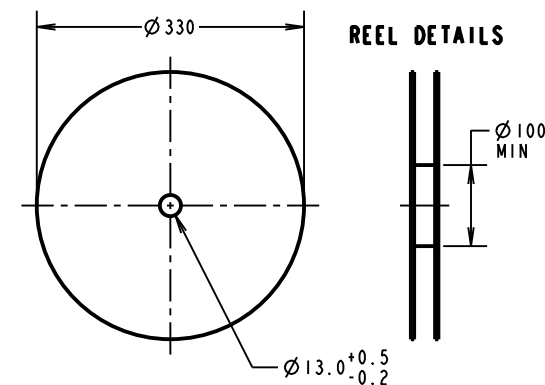
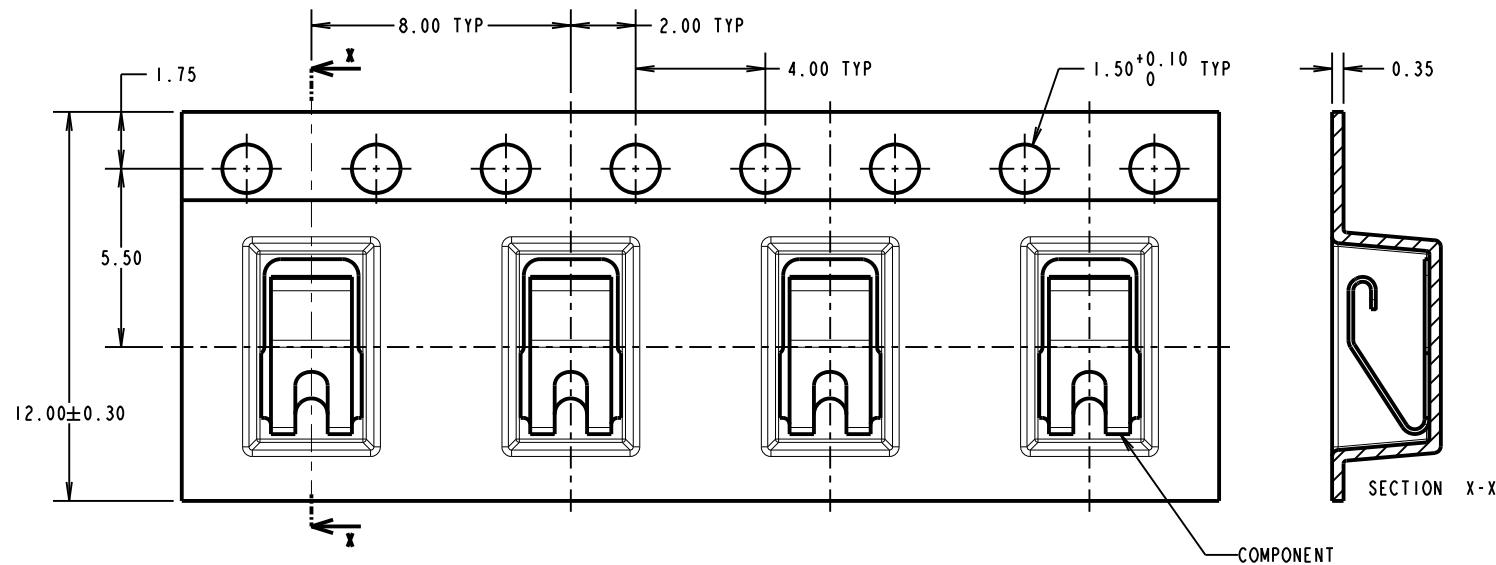
# 2901-02 - 2.5mm high Spring Contact

Drawing Number: 14470

All dimensions in mm

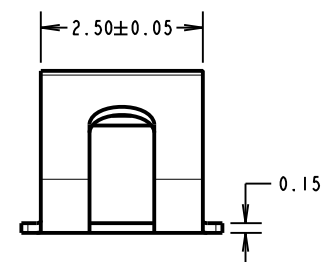
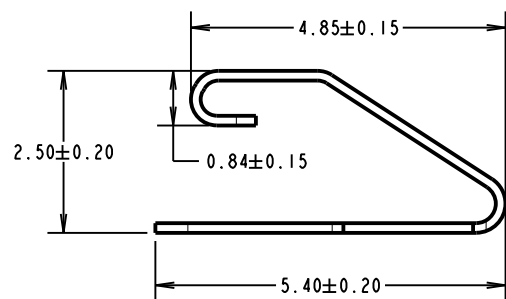
Need to scale

Third angle protection



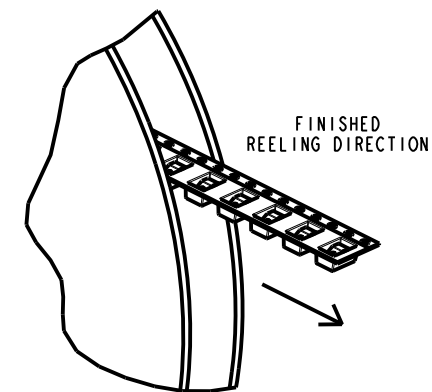
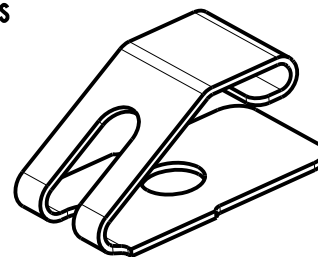
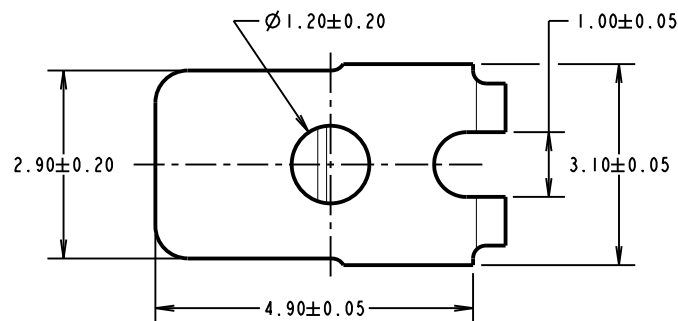
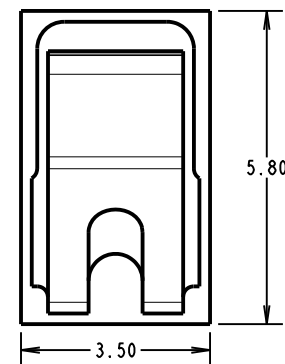
- NOTES:
1. QUANTITY PER REEL = 2500.
  2. THIS PRODUCT IS TAPED AND REELED IN ACCORDANCE WITH EIA-481 (ELECTRONIC INDUSTRIES ASSOCIATION).

**COMPONENT SPECIFICATION:**  
 MATERIAL = PHOSPHOR BRONZE  
 FINISH = 4µ BRIGHT 100% TIN OVER 2µ NICKEL  
 RECOMMENDED WORKING HEIGHT = 1.75mm / MIN FORCE = 1.5N  
 MINIMUM WORKING HEIGHT = 1.50mm / MAX FORCE = 3.0N  
**ELECTRICAL:**  
 CURRENT RATING = 6A  
**MECHANICAL:**  
 DURABILITY = 5000 CYCLES  
**ENVIRONMENTAL:**  
 OPERATING TEMPERATURE = -55°C TO +125°C




COMPONENT DETAILS

RECOMMENDED PAD LAYOUT



	13-06-2016	14470
	Date	Number
Approved: Arend Langendam		
Drawing: Christian van Vugt		
Customer reference:		
Assembly DRG:		

  
**Holland Shielding Systems BV**

Holland Shielding Systems BV  
 Jacobus lipsweg 124  
 3316BP Dordrecht  
 the Netherlands

E-mail: info@hollandshielding.com  
 Phone: +31(0)78-2049000  
 Fax: +31(0)78-2049008

Tolerances  
 x. = -1mm  
 x.x = -0.25mm  
 x.x.x = -0.10mm  
 x.x.x.x = -0.01mm  
 Angles = -5°  
 Unless stated

Material: See above  
 Finish: See above  
 S/Area: mm<sup>2</sup>

Title: 2901-02 - 2.5mm high Spring Contact  
 Drawing: 2901-02 - 2.5mm