

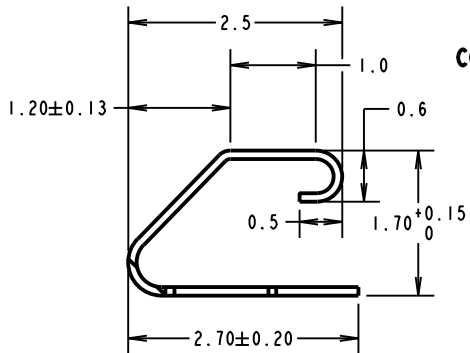
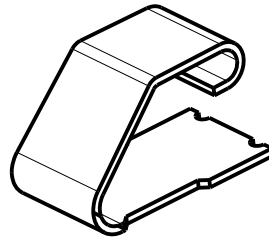
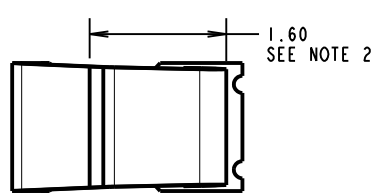
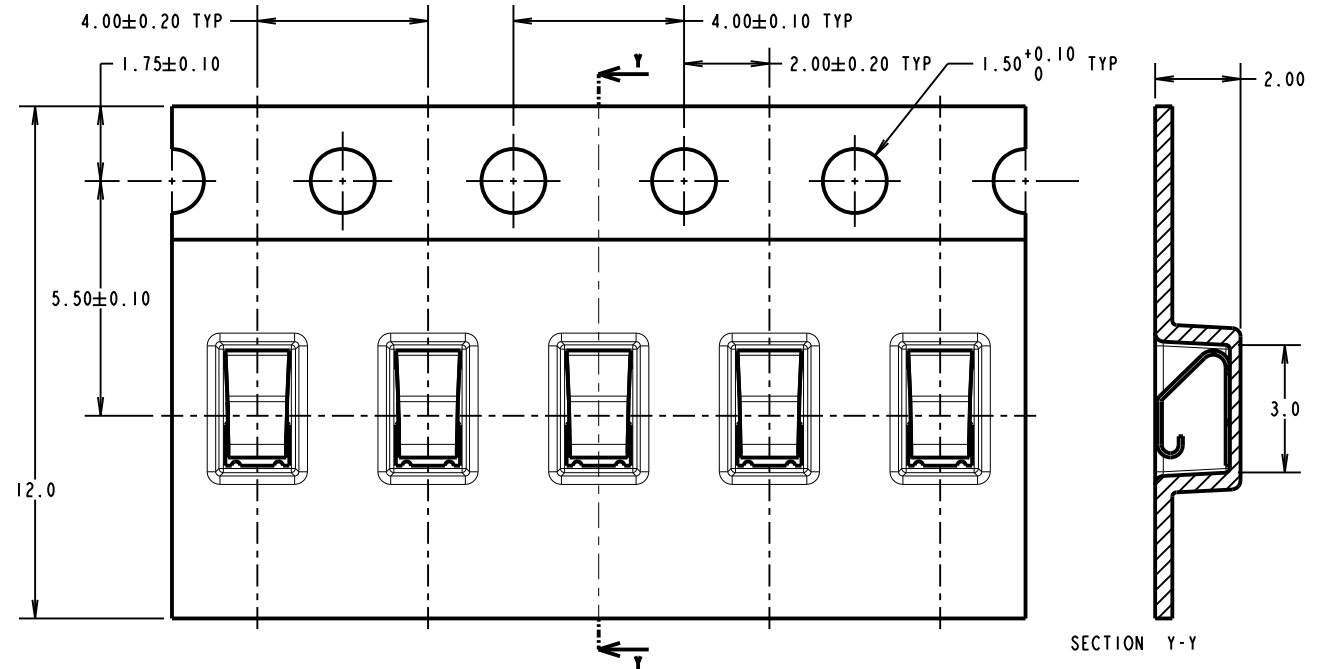
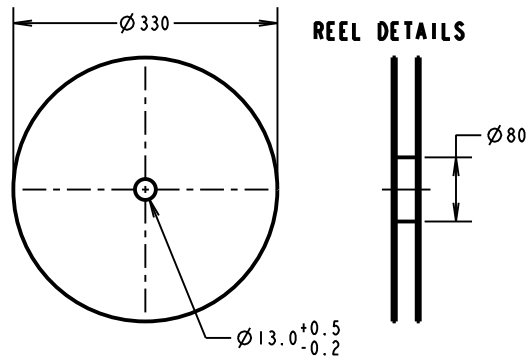
2901-01 - 1.7mm high Spring Contact

Drawing Number: 14469

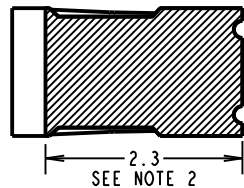
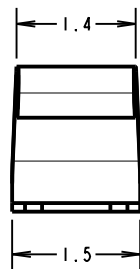
All dimensions in mm

Need to scale

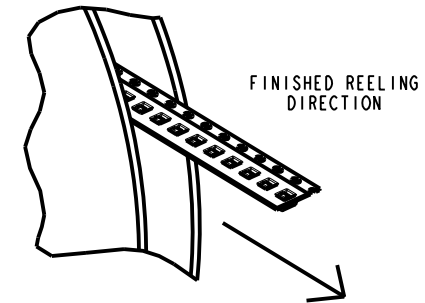
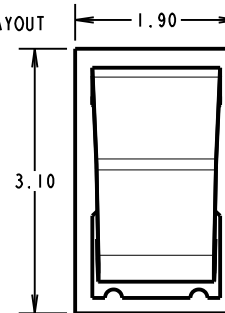
Third angle protection



COMPONENT DETAILS



RECOMMENDED PAD LAYOUT



COMPONENT SPECIFICATION:

MATERIAL = TITANIUM COPPER ALLOY,
0.10mm THICK

FINISH = 0.7µ-1.3µ NICKEL, GOLD FLASH
ON CONTACT AREAS.

RECOMMENDED WORKING HEIGHT = 1.50mm / MIN FORCE = 1.2N

RECOMMENDED MINIMUM WORKING HEIGHT = 1.20mm

ELECTRICAL:

CURRENT RATING = 4A

MECHANICAL:

DURABILITY = 3000 CYCLES

ENVIRONMENTAL:

OPERATING TEMPERATURE = -55°C TO +125°C

NOTES:

1. QUANTITY PER REEL = 5000.

2. GOLD PLATED AREA.

3. ALL TOLERANCES ARE: X.X = ±0.30mm

X.XX = ±0.15mm

UNLESS OTHERWISE STATED.

	13-06-2016	14469
	Date	Number
Approved: Arend Langendam		
Drawing: Christian van Vugt		
Customer reference:		
Assembly DRG:		

Holland Shielding Systems BV

Holland Shielding Systems BV
Jacobus lipsweg 124
3316BP Dordrecht
the Netherlands

E-mail: info@hollandshielding.com
Phone: +31(0)78-2049000
Fax: +31(0)78-2049008

Tolerances	See above
X	= -1mm
X.X	= -0.25mm
X.XX	= -0.10mm
X.XXX	= -0.01mm
Angles	Unless stated

Material:	See above
Finish:	See above
S/Area:	mm ²

Title:	2901-01 - 1.7mm high Spring Contact Technical drawing
Drawing:	2901-01 - 1.7mm