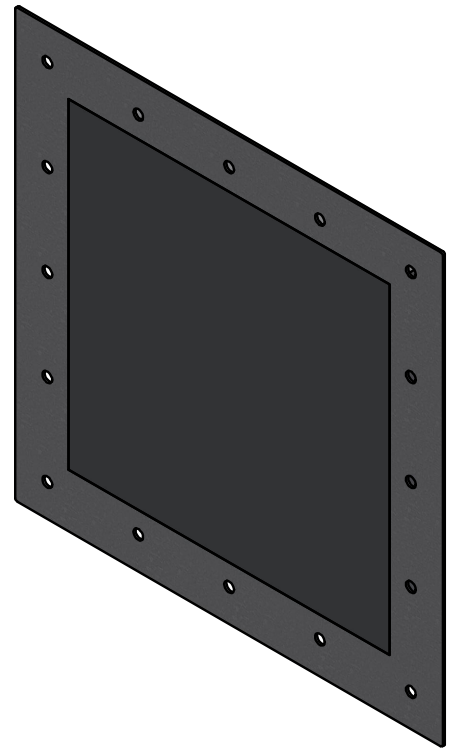
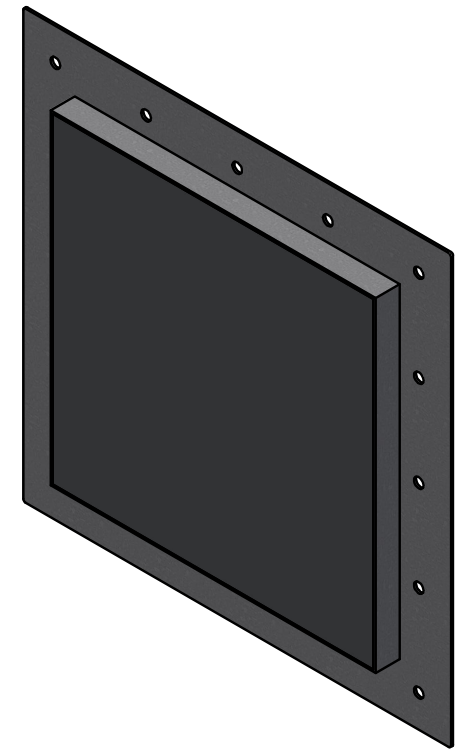
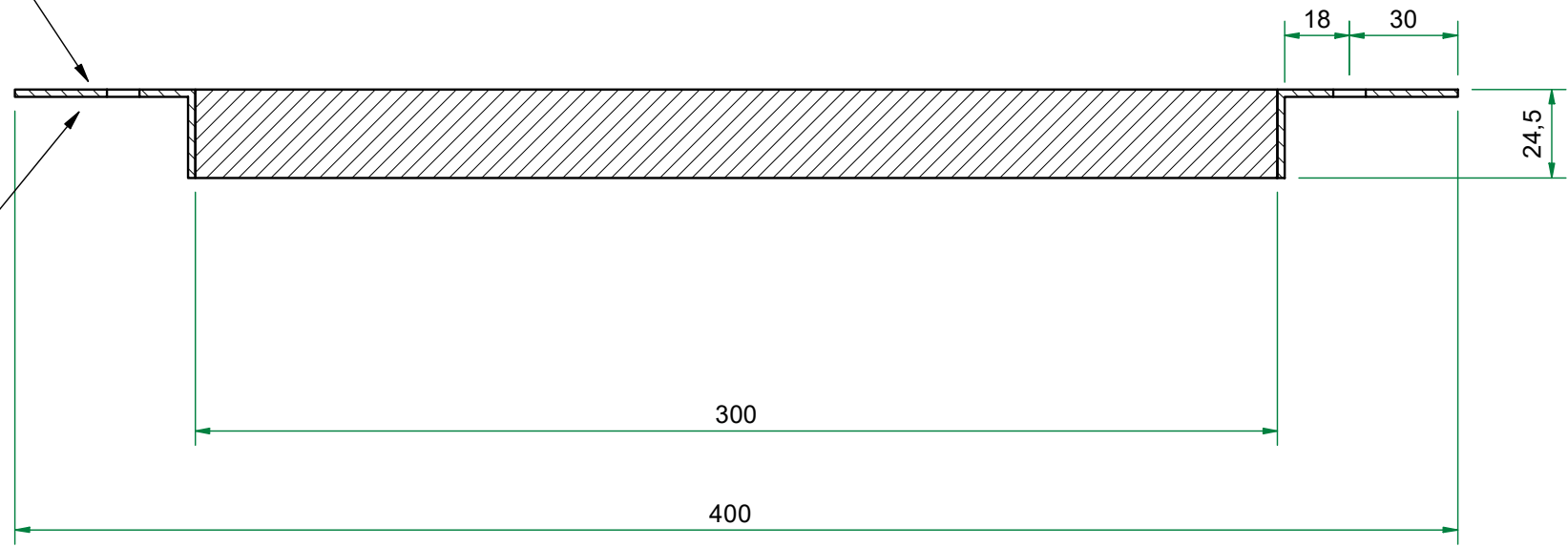
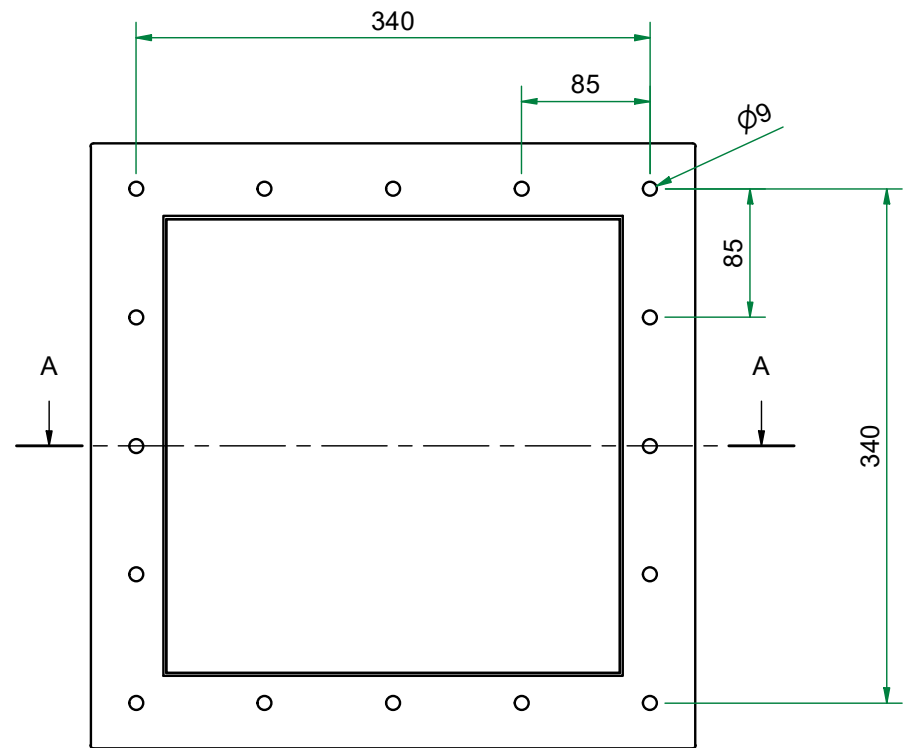




Gasket side A

Gasket side B



A-A ( 1 : 2 )



Title : Honeycomb 9550	Scale	Designed : HSS	Checked :
Projectname :	1 : 5	Date : 16-4-2024	Date :
Client: HSS	Projection	A3	Project number:
 <b>Holland Shielding Systems BV</b> WWW.HOLLANDSHIELDING.COM TELEFOON : +31 78 204 9000 FAX : +31 78 204 9008 E-MAIL : INFO@HOLLANDSHIELDING.COM	 1 of 1	Rev. 00	Drawing number
		<b>HC 300X300</b>	